


## Installation Instructions

---

 Warning! Safety instructions

 Warning! This must be read! The laws, ordinances, directives and standards in force in the country of use are to be followed (safety regulations, proper recycling in accordance with the regulations, etc.)

Important! Installation may only be carried out by a qualified electrician.

The minimum distances to other appliances and units are to be observed.

Anti-shock protection must be provided by the installation, for example drawers may only be installed with a protective floor directly underneath the appliance.

The cut surfaces of the worktop are to be protected against moisture using a suitable sealant. The sealant seals the appliance to the work top with no gap. Do not use silicon sealant between the appliance and the work top.

Avoid installing the appliance next to doors and under windows. Otherwise hot cook-

ware may be knocked off the rings when doors and windows are opened.

**⚠ Caution! Warning! Risk of injury from electrical current.**

- The electrical mains terminal is live. Make electrical mains terminal free of volt-age. Follow connection schematic.
- Observe electrical safety rules.
- Ensure anti-shock protection by installing correctly.
- The appliance must be connected to the electrical supply by a qualified electrician.
- Loose and inappropriate plug and socket connections can make the terminal over-heat. Have the clamping connections correctly installed by a qualified electrician.
- Use strain relief clamp on cable.
- A ventilation gap of 5 mm underneath the cooktop must be left.

**⚠ Caution!** The surface temperature exceeds 95°C. To avoid a hazard, underbench access must be restric-ted

**Electrical Connection**

Before connecting, check that the nominal voltage of the appliance, that is the voltage stated on the rating plate, corresponds to the available supply voltage. Also check the power rating of the appliance and ensure that the wire is suitably sized in accordance with local wiring rules to suit the appliance power rating. The rating plate is located on the lower casing of the hob. The heating element volt-age is AC230V-. The appliance also works perfectly on networks with AC220V- or AC240V-. Means for disconnection must be incorporated in the fixed wiring in accord-ance with local wiring rules. The hob is to be connected to the mains using a device that allows the appliance to be disconnected from the mains at all poles with a contact

opening width of at least 3 mm, eg. auto-matic line protecting cut-out, earth leakage trips or fuse. If this appliance's mains cable is damaged, it must be replaced by a special cable (type HOSBB-F T max 90°C ; or higher).

The latter is available from the Customer Care Department. The connection must be carried out as shown in the diagram. The earth lead is connected to termi-nal  $\perp$ . The earth lead must be longer than leads carrying electric current. The cable connections must be made in accord-ance with regulations and the terminal screws tightened securely. Finally, the connecting cable is to be secured with the mains cable cleat and the covering closed by pressing firmly (lock into place). Before switching on for the first time, any protective foil or stickers must be removed from the glass ceramic surface.

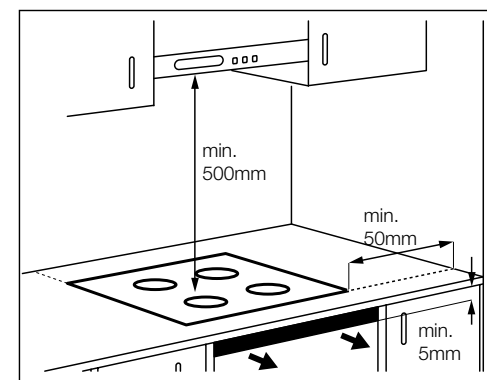
**⚠ Warning!** Once connected to the mains supply check that all cooking zones are ready for use by briefly switching each on in turn at the maximum setting.

- A duplicate rating label is supplied with this unit. For easy identification of this unit after installation, stick it to a readily available surface adjacent to the cooktop.

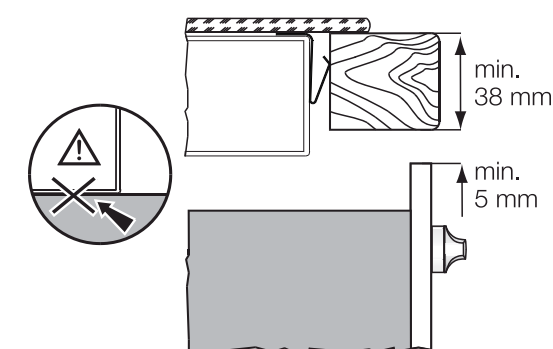
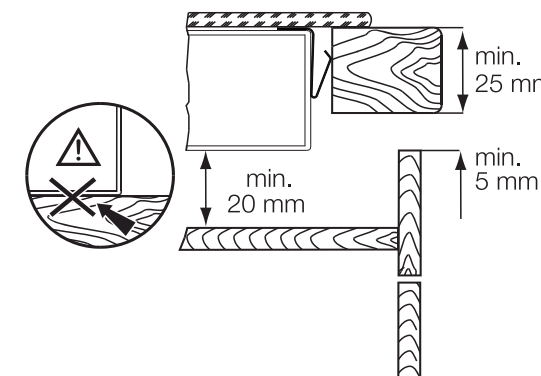
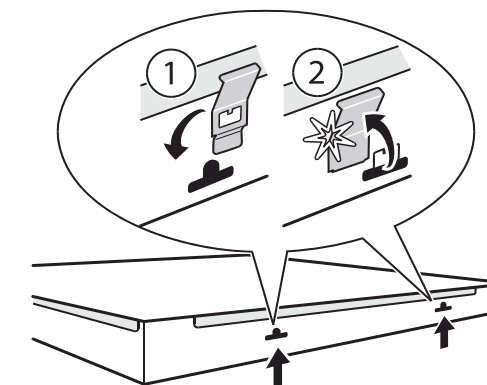
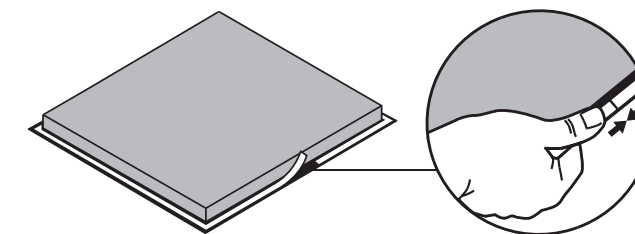
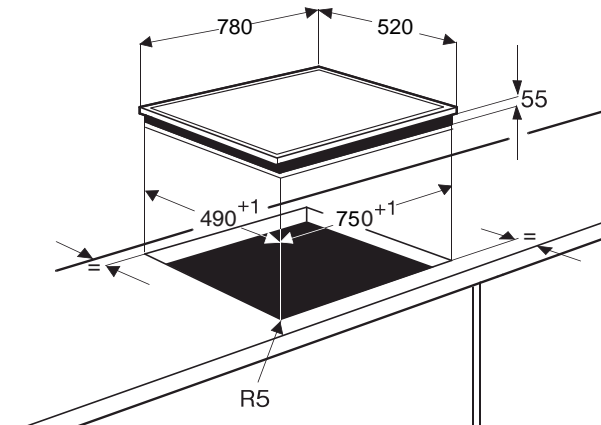
**Sticking on the seal**

- Clean the worktop around the cutout area.
- Stick the single-sided adhesive sealing tape provided on the underside of the hob around the outside edge ensuring that it is not stretched. The two ends of the tape should join in the middle of one side. After trimming the tape (allow it to overlap by 2-3 mm), press the two ends together.

**Assembly**



When fitting a vent hood above the hob, refer to the manufacturer own installations relating to that product. However as a general rule, a minimum clear vertical distance of 500mm.



**⚠ Warning!** Surface temperatures of base exceed 95°C. under bench access must be restricted by use of non-combustible barrier on installation