

INSTALLATION

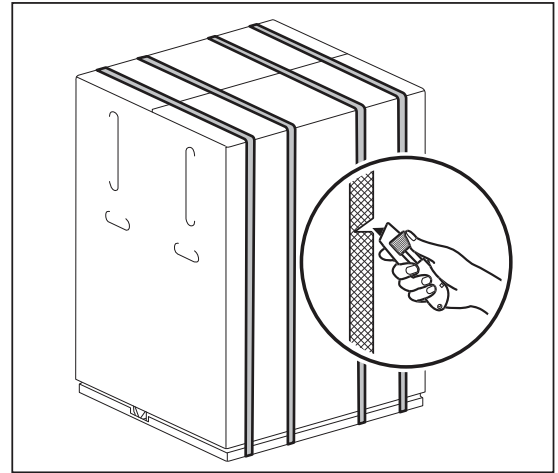
1 Unpacking

! CAUTION!

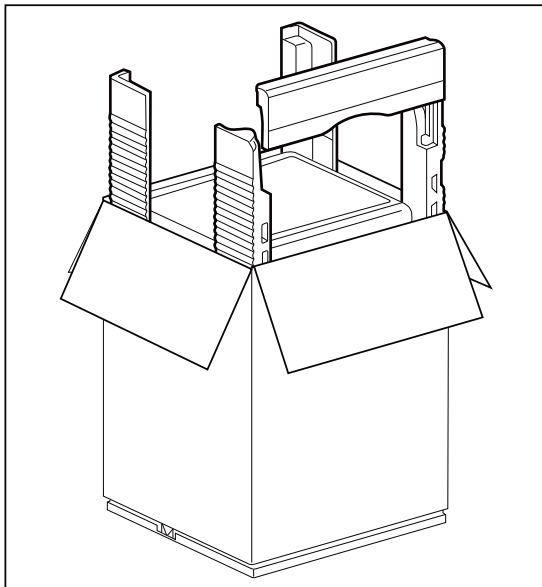
All transit bolts and packing must be removed before using the appliance.

You are advised to keep all transit devices so that they can be refitted if the machine ever has to be transported again.

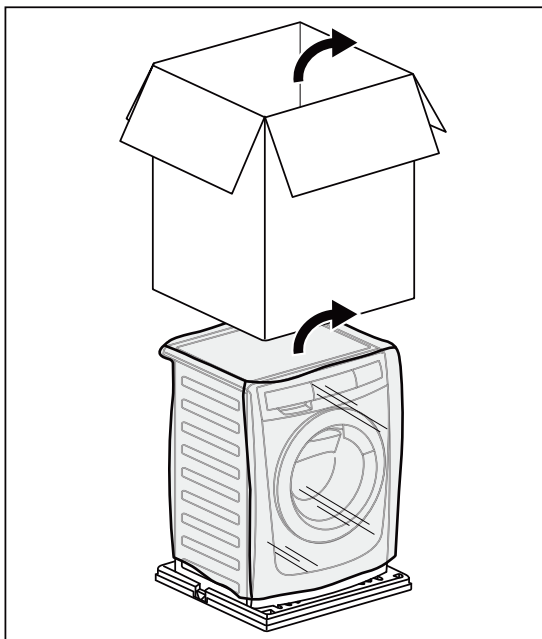
1. Cut and remove four cut out straps as shown.



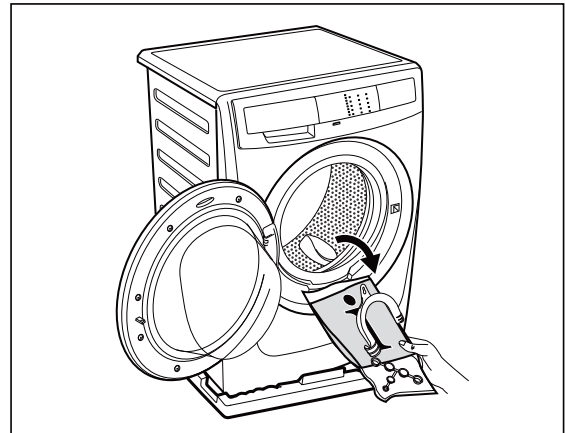
2. Open top flaps and remove internal foam inserts as shown on picture.



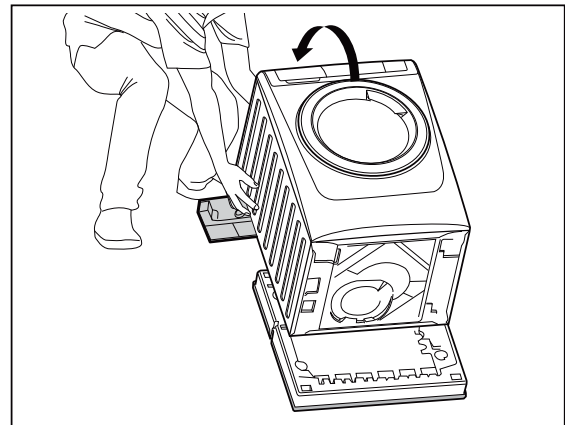
3. Remove the carton box and plastic bag which cover the machine as indicated on picture.



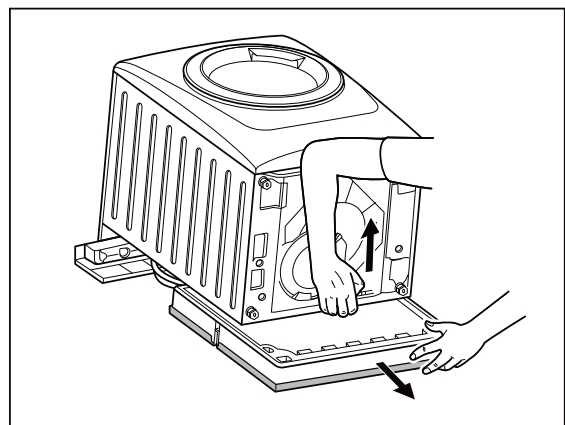
4. Open the door. Remove all the items from the drum.



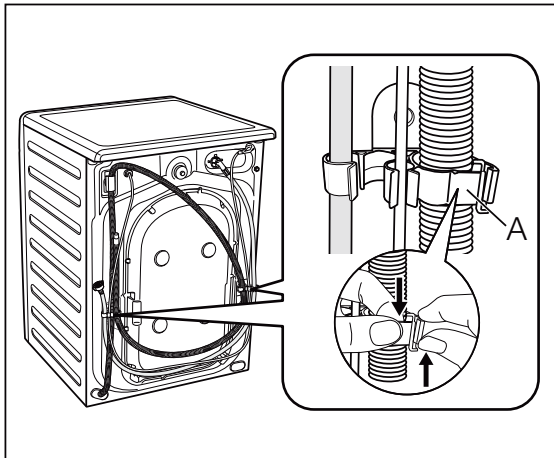
5. Put one of the polystyrene packaging elements on the floor behind the appliance. Carefully put down the appliance with the rear side on it. Make sure not to damage the hoses.



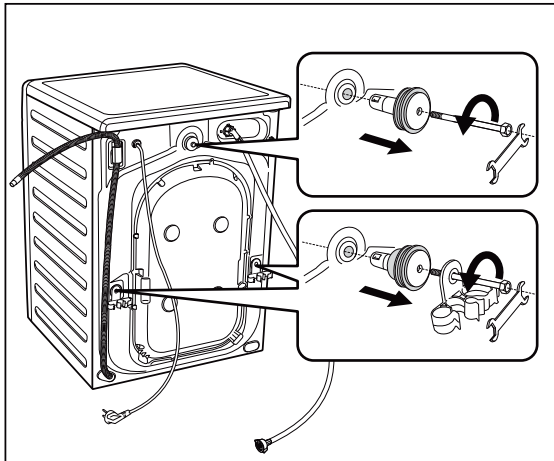
6. Remove the polystyrene base.



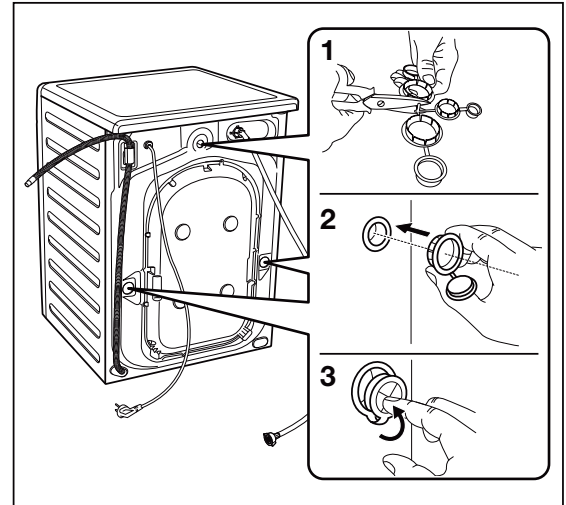
7. Pull up the appliance in vertical position.
8. Remove the power supply cable and the drain and inlet hoses from the hose holders (A) on the rear of the appliance.



9. Remove the three bolts.
10. Pull out the plastic spacers.



11. Put the plastic caps in the holes. You can find these caps in the user manual bag.



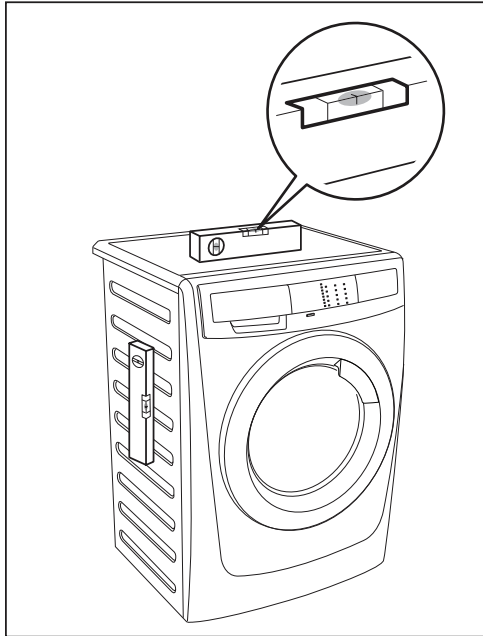
2 Positioning

i IMPORTANT

It is important that your washing machine stands firm and level on the floor to ensure correct operation.

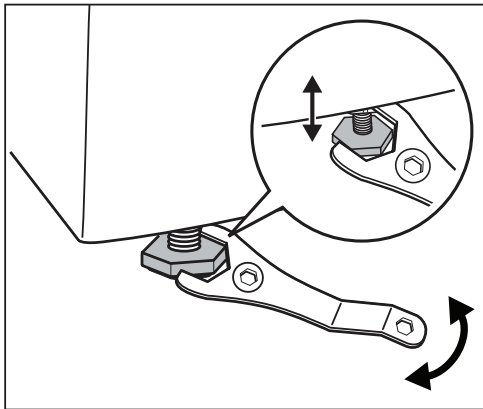
The appliance must not be installed behind a lockable door, a sliding door or a door with a hinge on the opposite side so that the washing machine door is restricted.

Use a spirit level on the top and side of the washing machine to check the levels.

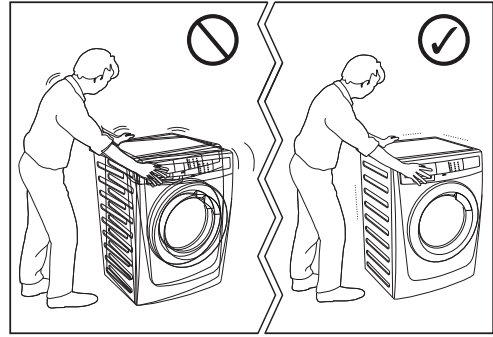


If you do not have a spirit level, as a guide use the edge of a door frame, cupboard or bench to check that the washing machine is level.

Loosen or tighten the feet to adjust the level. A correct adjustment of the appliance level prevents the vibration, noise and the movement of the appliance when in operation.



When the washing machine is levelled, try to rock it from corner to corner. If it does rock, adjust the legs again until it is levelled and does not rock.



Never place cardboard, wood or similar materials under the machine to compensate for any unevenness in the floor.

Install the machine on a flat hard floor. Make sure that air circulation around the machine is not impeded by carpets, rugs etc.

Check that the machine does not touch the wall or cupboard units.

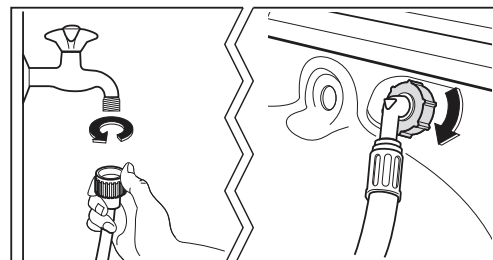
3 Water Inlet

Connect the water inlet hose to a tap with 3/4" BSP thread.

Use the hose supplied with the washing machine. **DO NOT USE OLD HOSES.**

The other end of the inlet hose which connects to the machine can be turned in any direction.

Simply loosen the fitting, rotate the hose and retighten the fitting, making sure there are no water leaks.

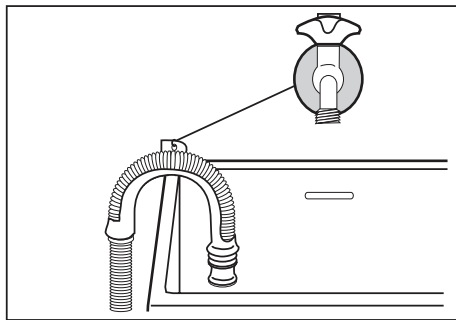


The inlet hose must not be lengthened. If it is too short and you do not wish to move the tap, you will have to purchase a new, longer hose specially designed for this type of use.

4 Water Drainage

The end of the drain hose can be positioned in three ways:

- Hooked over the edge of a sink using the plastic hose guide supplied with the machine.

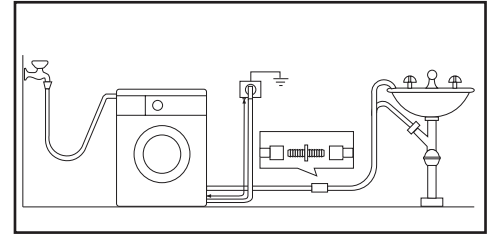


In this case, make sure the end cannot come unhooked when the machine is emptying.

This could be done by tying it to the tap with a piece of string or attaching it to the wall.

- In a sink drain pipe branch. This branch must be above the trap so that the bend is at least 60 cm above the ground.
- Directly into a drain pipe at a height of no less than 60 cm and no more than 90 cm. The end of the drain hose must always be ventilated, i.e. the inside diameter of the drain pipe must be larger than the outside diameter of the drain hose.

The drain hose must not be kinked. Run it along the floor, only the part near the drainage point must be raised.



For correct functioning of the machine the drain hose must remain hooked on the proper support piece situated on the top part of back side of the appliance.

5 Electrical Connection

This machine is designed to operate on a 220 V, single-phase, 60 Hz supply.

! Please check rated power supply condition that is mentioned on the Rating Label before you connect to the power supply.

“An incorrect power supply may void your warranty.”

Check that your domestic electrical installation can take the maximum load required (1.7 kW), also taking into account any other appliances in use.

! Connect the machine to an earthed socket outlet.

The manufacturer declines any responsibility for damage or injury through failure to comply with the above safety precaution.

! If the supply cord is damaged, should the appliance power supply cable need to be replaced, this shall be carried out by our Service Centre.

When the appliance is installed the power supply cable must be easily accessible.

If this appliance is supplied from a cord extension set or electrical portable outlet device, the cord extension set or electrical portable device must be positioned so that it is not subject to splashing or ingress of moisture.
