

INSTALLATION



WARNING!
Refer to Safety chapters.

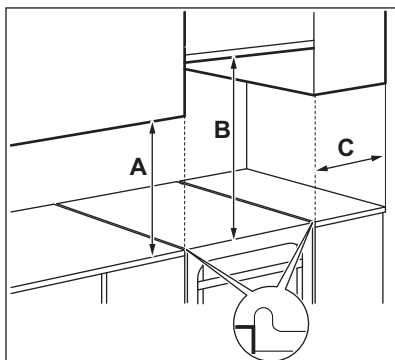
1 Location of the appliance

You can install your freestanding appliance with cabinets on one or two sides and in the corner.



Keep a distance of about 1 cm between the appliance and the back wall to make sure that the lid opens.

For minimal distances for fitting check the table.



Minimum distances

Dimension	mm
A	400
B	650
C	150

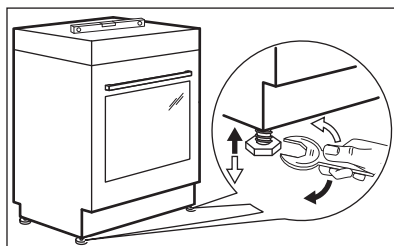
2 Technical data

Voltage	220 - 240 V
---------	-------------

Frequency	50 / 60 Hz
Appliance class	1

Dimension	mm
Height	855
Width	600
Depth	600

3 Levelling of the appliance



Use small feet on the bottom of appliance to set the appliance top surface level with other surfaces.

4 Anti-tilt protection

Set the correct height and area for the appliance before you attach the anti-tilt protection.



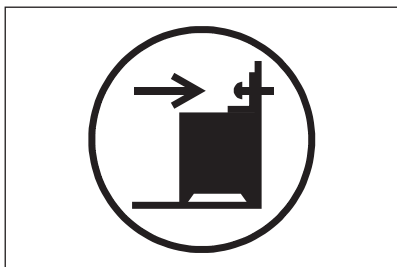
CAUTION!
Make sure you install the anti-tilt protection at the correct height.



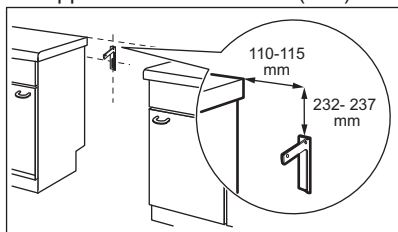
Make sure that the surface behind the appliance is smooth.

You must install the anti-tilt protection. If you do not install it, the appliance can tilt.

Your appliance has the symbol shown on the picture (if applicable) to remind you about the installation of the anti-tilt protection.



1. Install the anti-tilt protection 232 - 237 mm down from the top surface of the appliance and 110 - 115 mm from the side of the appliance into the circular hole on a bracket. Screw it into the solid material or use applicable reinforcement (wall).



2. You can find the hole on the left side at the back of the appliance. Lift the front of the appliance and put it in the middle of the space between the cupboards. If the space between the bench cupboards is larger than the width of the appliance, you must

adjust the side measurement to centre the appliance.



If you changed the dimensions of the cooker, you must align the non-tip device correctly.



CAUTION!

If the space between the bench cupboards is larger than the width of the appliance, you must adjust the side measurement to the centre of the appliance.

5 Electrical installation



WARNING!

The manufacturer is not responsible if you do not follow the safety precautions from Safety chapters.

This appliance is supplied without a main plug or a main cable.

Applicable cable type: H05 RR-F with adequate cross-section.



WARNING!

Before you connect the mains cable to the terminal, measure the voltage between phases in the house network. Then, refer to the connection label at the back of the appliance to use the correct electrical installation. This order of steps prevents from installation errors and damage to the electrical components of the appliance.



WARNING!

The power cable must not touch the part of the appliance shown in the illustration.

