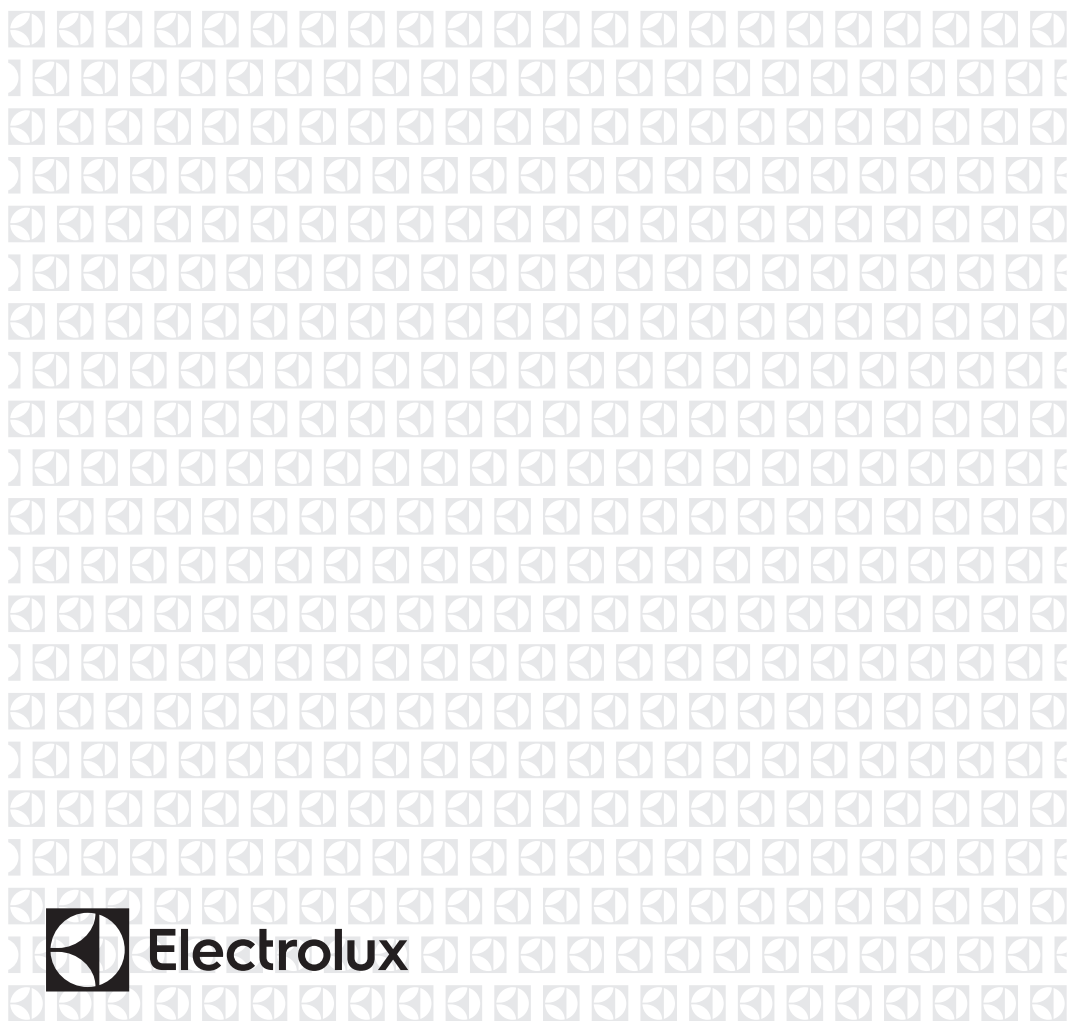




EN Cooker
ID Kompor Gas

User Manual
Buku petunjuk

2
28



CONTENTS

1. SAFETY INFORMATION.....	3
2. SAFETY INSTRUCTIONS.....	5
3. PRODUCT DESCRIPTION.....	8
4. BEFORE FIRST USE.....	9
5. HOB - DAILY USE.....	9
6. HOB - HINTS AND TIPS.....	10
7. HOB - CARE AND CLEANING.....	11
8. OVEN - DAILY USE.....	12
9. OVEN - CLOCK FUNCTIONS.....	14
10. USING THE ACCESSORIES.....	14
11. OVEN - HINTS AND TIPS.....	16
12. OVEN - CARE AND CLEANING.....	18
13. TROUBLESHOOTING.....	21
14. INSTALLATION.....	22
15. ENERGY EFFICIENCY.....	26

WE'RE THINKING OF YOU

Thank you for purchasing an Electrolux appliance. You've chosen a product that brings with it decades of professional experience and innovation. Ingenious and stylish, it has been designed with you in mind. So whenever you use it, you can be safe in the knowledge that you'll get great results every time.

Welcome to Electrolux.

Visit our website for:



Get usage advice, brochures, trouble shooter, service information:
www.electrolux.com/webselfservice



Register your product for better service:
www.registerelectrolux.com



Buy Accessories, Consumables and Original spare parts for your appliance:
www.electrolux.com/shop

CUSTOMER CARE AND SERVICE

Always use original spare parts.

When contacting our Authorised Service Centre, ensure that you have the following data available: Model, PNC, Serial Number.

The information can be found on the rating plate.



Warning / Caution-Safety information



General information and tips



Environmental information

Subject to change without notice.

1. SAFETY INFORMATION

Before the installation and use of the appliance, carefully read the supplied instructions. The manufacturer is not responsible for any injuries or damages that are the result of incorrect installation or usage. Always keep the instructions in a safe and accessible location for future reference.

1.1 Children and vulnerable people safety



WARNING!

Risk of suffocation, injury or permanent disability.



- This appliance can be used by children aged 8 years and above and by persons with reduced capabilities provided that they have been given instruction and/or supervision regarding the safe use of the appliance and understand the potential hazards involved.
- Do not let children play with the appliance.
- Keep all packaging away from children and dispose of it appropriately.
- Keep children and pets away from the appliance when it operates or when it cools down. Accessible parts are hot.
- Children shall not carry out cleaning and user maintenance of the appliance without supervision.

1.2 General Safety

- Only a qualified person must install this appliance and replace the cable.
- Do not operate the appliance by means of an external timer or separate remote-control system.
- **WARNING:** Unattended cooking on a hob with fat or oil can be dangerous and may result in fire.
- **NEVER** try to extinguish a fire with water, but switch off the appliance and then cover flame e.g. with a lid or a fire blanket.

- **CAUTION:** The cooking process has to be supervised. A short term cooking process has to be supervised continuously.
- **WARNING:** Danger of fire: Do not store items on the cooking surfaces.
- Do not use a steam cleaner to clean the appliance.
- Do not use harsh abrasive cleaners or sharp metal scrapers to clean the glass door or the glass of hinged lids of the hob since they can scratch the surface, which may result in shattering of the glass.
- Metallic objects such as knives, forks, spoons and lids should not be placed on the hob surface since they can get hot.
- Remove any spillage from the lid before opening. Let the hob surface cool down before closing the lid.
- **WARNING:** The appliance and its accessible parts become hot during use. Care should be taken to avoid touching heating elements. Children less than 8 years of age shall be kept away unless continuously supervised.
- Always use oven gloves to remove or put in accessories or ovenware.
- Before maintenance cut the power supply.
- Ensure that the appliance is switched off before replacing the lamp to avoid the possibility of electric shock.
- If the mains power supply cable is damaged, it must be replaced by the manufacturer, its Authorised Service Centre or similarly qualified persons to avoid an electrical hazard.
- **WARNING:** Use only hob guards designed by the manufacturer of the cooking appliance or indicated by the manufacturer of the appliance in the instructions for use as suitable or hob guards incorporated in the appliance. The use of inappropriate guards can cause accidents.

2. SAFETY INSTRUCTIONS

This appliance is suitable for the following markets:  

2.1 Installation



WARNING!

Only a qualified person must install this appliance.

- Remove all the packaging.
 - Do not install or use a damaged appliance.
 - Follow the installation instruction supplied with the appliance.
 - Always take care when moving the appliance as it is heavy. Always use safety gloves and enclosed footwear.
 - Do not pull the appliance by the handle.
 - The kitchen cabinet and the recess must have suitable dimensions.
 - Keep the minimum distance from the other appliances and units.
 - Make sure that the appliance is installed below and adjacent safe structures.
 - Parts of the appliance carry current. Close the appliance with furniture to prevent touching the dangerous parts.
 - The sides of the appliance must stay adjacent to appliances or to units with the same height.
 - Do not install the appliance on a platform.
 - Do not install the appliance adjacent to a door or under a window. This prevents hot cookware to fall from the appliance when the door or the window is opened.
 - Make sure to install a stabilizing means in order to prevent tipping of the appliance. Refer to Installation chapter.
- Make sure that the electrical information on the rating plate agrees with the power supply. If not, contact an electrician.
 - Always use a correctly installed shockproof socket.
 - Do not use multi-plug adapters and extension cables.
 - Do not let mains cables touch or come near the appliance door, especially when the door is hot.
 - The shock protection of live and insulated parts must be fastened in such a way that it cannot be removed without tools.
 - Connect the mains plug to the mains socket only at the end of the installation. Make sure that there is access to the mains plug after the installation.
 - If the mains socket is loose, do not connect the mains plug.
 - Do not pull the mains cable to disconnect the appliance. Always pull the mains plug.
 - Use only correct isolation devices: line protecting cut-outs, fuses (screw type fuses removed from the holder), earth leakage trips and contactors.
 - The electrical installation must have an isolation device which lets you disconnect the appliance from the mains at all poles. The isolation device must have a contact opening width of minimum 3 mm.
 - Fully close the appliance door, before you connect the mains plug to the mains socket.

2.2 Electrical Connection



WARNING!

Risk of fire and electrical shock.

- All electrical connections should be made by a qualified electrician.
- The appliance must be earthed.

2.3 Gas connection

- All gas connections should be made by a qualified person.
- Before installation, make sure that the local distribution conditions (nature of the gas and gas pressure) and the adjustment of the appliance are compatible.
- Make sure that there is air circulation around the appliance.
- The information about the gas supply is on the rating plate.

- This appliance is not connected to a device, which evacuates the products of combustion. Make sure to connect the appliance according to current installation regulations. Pay attention to requirements regarding adequate ventilation.

2.4 Use



WARNING!

Risk of injury and burns.
Risk of electrical shock.

- This appliance is for household use only.
- Do not change the specification of this appliance.
- Make sure that the ventilation openings are not blocked.
- Do not let the appliance stay unattended during operation.
- Deactivate the appliance after each use.
- Be careful when you open the appliance door while the appliance is in operation. Hot air can release.
- Do not operate the appliance with wet hands or when it has contact with water.
- Do not use the appliance as a work surface or as a storage surface.



WARNING!

Risk of fire and explosion

- Fats and oil when heated can release flammable vapours. Keep flames or heated objects away from fats and oils when you cook with them.
- The vapours that very hot oil releases can cause spontaneous combustion.
- Used oil, that can contain food remnants, can cause fire at a lower temperature than oil used for the first time.
- Do not put flammable products or items that are wet with flammable products in, near or on the appliance.
- Do not let sparks or open flames to come in contact with the appliance when you open the door.
- Open the appliance door carefully. The use of ingredients with alcohol can cause a mixture of alcohol and air.



WARNING!

Risk of damage to the appliance.

- To prevent damage or discoloration to the enamel:
 - do not put ovenware or other objects in the appliance directly on the bottom.
 - do not put water directly into the hot appliance.
 - do not keep moist dishes and food in the appliance after you finish the cooking.
 - be careful when you remove or install the accessories.
- Discoloration of the enamel has no effect on the performance of the appliance.
- Use a deep pan for moist cakes. Fruit juices cause stains that can be permanent.
- Do not keep hot cookware on the control panel.
- Do not let cookware boil dry.
- Be careful not to let objects or cookware fall on the appliance. The surface can be damaged.
- Do not activate the cooking zones with empty cookware or without cookware.
- Do not put aluminium foil on the appliance or directly on the bottom of the appliance.
- Cookware made of cast iron, aluminium or with a damaged bottom can cause scratches. Always lift these objects up when you have to move them on the cooking surface.
- Provide good ventilation in the room where the appliance is installed.
- Use only stable cookware with the correct shape and diameter larger than the dimensions of the burners.
- Make sure the flame does not go out when you quickly turn the knob from the maximum to the minimum position.
- Use only the accessories supplied with the appliance.
- Do not install a flame diffuser on the burner.
- This appliance is for cooking purposes only. It must not be used for

other purposes, for example room heating.

2.5 Care and Cleaning



WARNING!

Risk of injury, fire, or damage to the appliance.

- Before maintenance, deactivate the appliance. Disconnect the mains plug from the mains socket.
- Make sure the appliance is cold. There is the risk that the glass panels can break.
- Replace immediately the door glass panels when they are damaged. Contact the Authorised Service Centre.
- Be careful when you remove the door from the appliance. The door is heavy!
- Fat and food remaining in the appliance can cause fire and electric arcing when the microwave function operates.
- Clean regularly the appliance to prevent the deterioration of the surface material.
- Clean the appliance with a moist soft cloth. Only use neutral detergents. Do not use abrasive products, abrasive cleaning pads, solvents or metal objects.
- If you use an oven spray, obey the safety instructions on the packaging.
- Do not clean the catalytic enamel (if applicable) with any kind of detergent.
- Do not clean the burners in the dishwasher.

2.6 Lid

- Do not change the specification of the lid.
- Clean the lid regularly.
- Do not open the lid, when there are spills on the surface.
- Before you close the lid turn all burners off.
- Do not close the lid until the hob and oven are completely cold.
- Glass lid can shatter, when heated (if applicable).



2.7 Internal light

- The type of light bulb or halogen lamp used for this appliance is only for household appliances. Do not use it for house lighting.



WARNING!

Risk of electrical shock.

- Before replacing the lamp, disconnect the appliance from the power supply.
- Only use lamps with the same specifications.

2.8 Gas Grill



WARNING!

Risk of fire, explosion and burns.

- Do not leave the appliance unattended during grilling. Accessible parts become hot.
- Keep children away when the grill is in use.
- Never use the grill with the oven door closed. Leave the oven door open. There is a risk of fire or carbon monoxide emissions.
- Do not put the oven shelf with food on the highest shelf level.

2.9 Disposal



WARNING!

Risk of injury or suffocation.

- Contact your municipal authority for information on how to discard the appliance correctly.
- Disconnect the appliance from the mains supply.
- Cut off the mains electrical cable close to the appliance and dispose of it.
- Remove the door catch to prevent children or pets from becoming trapped in the appliance.

- Flat the external gas pipes.

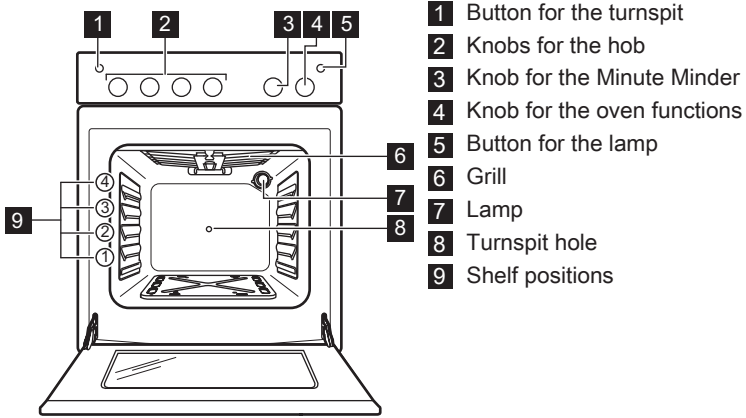
- Use original spare parts only.

2.10 Service

- To repair the appliance contact an Authorised Service Centre.

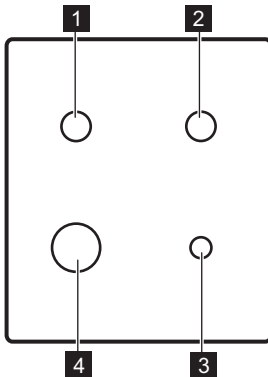
3. PRODUCT DESCRIPTION

3.1 General overview



- 1** Button for the turnspit
- 2** Knobs for the hob
- 3** Knob for the Minute Minder
- 4** Knob for the oven functions
- 5** Button for the lamp
- 6** Grill
- 7** Lamp
- 8** Turnspit hole
- 9** Shelf positions

3.2 Cooking surface layout



- 1** Semi-rapid burner
- 2** Semi-rapid burner
- 3** Auxiliary burner
- 4** Triple Crown burner

3.3 Accessories

- **Wire shelf**
For cookware, cake tins, roasts.
- **Grill- / Roasting pan**

- To bake and roast or as pan to collect fat.
- **Turnspit**
For roasting larger joints of meat and poultry.

- **Grill deflector**
To protect the knobs when you use the grill.
- **Storage compartment**
The storage compartment is below the oven cavity. To use the compartment, lift the lower front door then pull it down.

**WARNING!**

The storage compartment can become hot when the appliance operates.

- **Wok support**
To cook with wok.

4. BEFORE FIRST USE

**WARNING!**

Refer to Safety chapters.

4.1 Initial Cleaning

Remove all accessories from the appliance.



Refer to "Care and cleaning" chapter.

Clean the appliance and the accessories before first use.

Put the accessories back to their initial position.

4.2 Preheating

Preheat the empty appliance to burn off the remaining grease.

1. Set the maximum temperature.
2. Let the appliance operate for approximately 1 hour.

**WARNING!**

Accessories can become hotter than usual.

The appliance can emit an odour and smoke. This is normal. Make sure that the airflow is sufficient.

Let the oven cool down. Dampen a soft cloth with warm water and a little mild washing-up liquid and use this to clean the oven cavity.

5. HOB - DAILY USE

**WARNING!**

Refer to Safety chapters.


5.1 Ignition of the hob burner



Always light the burner before you put on the cookware.

**WARNING!**

Be very careful when you use open fire in the kitchen environment. The manufacturer declines any responsibility in case of the flame misuse.

gas flow position  and push it down to light the burner.

2. Keep the knob for the hob pushed for equal or less than 10 seconds to let the thermocouple warm up. If not, the gas supply is interrupted.
3. Adjust the flame after it is regular.

**WARNING!**

Do not keep the knob pushed for more than 15 seconds. If the burner does not light after 15 seconds, release the knob, turn it into the off position and try to light the burner again after minimum 1 minute.

1. Turn the knob for the hob counterclockwise to the maximum

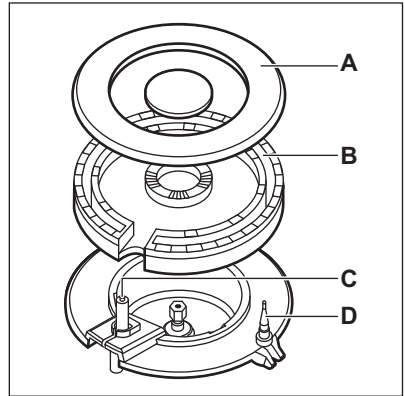
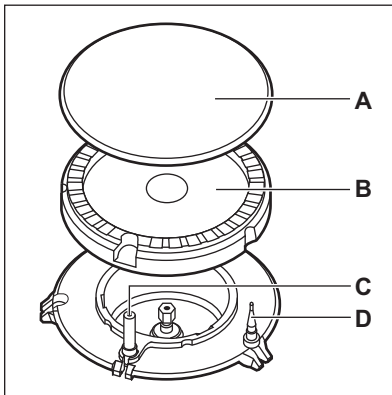
i If after some tries the burner does not light, check if the crown and its cap are in the correct position.

i In the absence of electricity you can ignite the burner without an electrical device. In this case approach the burner with a flame, push the relevant knob down and turn it to maximum position. Keep the knob pushed for equal or less than 10 seconds to let the thermocouple warm up.

i If the burner accidentally goes out, turn the knob to the off position and try to light the burner again after minimum 1 minute.

i The spark generator can start automatically when you switch on the mains, after installation or a power cut. It is normal.

5.2 Burner overview



- A. Burner cap
- B. Burner crown
- C. Ignition candle
- D. Thermocouple

5.3 Turning the burner off

To put the flame out, turn the knob to the off position **0**.



WARNING!

Always turn the flame down or switch it off before you remove the pans from the burner.

6. HOB - HINTS AND TIPS



WARNING!

Refer to Safety chapters.

6.1 Cookware



WARNING!

Do not put the same pan on two burners.



WARNING!

Do not put unstable or damaged pots on the burner to prevent from spill and injury.



CAUTION!

Make sure that pot handles are not above the front edge of the cooktop.



CAUTION!

Make sure that the pots are placed centrally on the burner in order to get maximum stability and to get lower gas consumption.

6.2 Diameters of cookware



WARNING!

Use cookware with diameters applicable to the size of burners.

Burner	Diameter of cookware (mm)
Triple Crown	160 - 240
Semi - rapid	140 - 240
Auxiliary	120 - 180

7. HOB - CARE AND CLEANING



WARNING!

Refer to Safety chapters.

7.1 General information

- Clean the hob after each use.
- Always use cookware with clean bottom.
- Scratches or dark stains on the surface have no effect on how the hob operates.
- Use a special cleaner applicable for the surface of the hob.
- Wash stainless steel parts with water, and then dry them with a soft cloth.

7.2 Cleaning the hob

- **Remove immediately:** melted plastic, plastic foil, and food with sugar. If not, the dirt can cause damage to the hob.
- **Remove when the hob is sufficiently cool:** limescale rings, water rings, fat stains, shiny metallic discoloration. Clean the hob with a moist cloth and non-abrasive detergent. After cleaning, wipe the hob dry with a soft cloth.

- To clean the enamelled parts, cap and crown, wash them with warm soapy water and dry them carefully before you put them back on.

7.3 Cleaning the spark plug

This feature is obtained through a ceramic ignition candle with a metal electrode. Keep these components well clean to prevent difficult lighting and check that the burner crown holes are not obstructed.

7.4 Pan supports



The pan supports are not resistant to washing in a dishwasher. They must be washed by hand.

1. Remove the pan supports to easily clean the hob.



Be very careful when you replace the pan supports to prevent the hob top from damage.

2. After you clean the pan supports, make sure that they are in correct positions.
3. For the burner to operate correctly, make sure that the arms of the pan supports are aligned with the centre of the burner.

7.5 Periodic maintenance

Speak to your local Authorised Service Centre periodically to check the conditions of the gas supply pipe and the pressure adjuster, if fitted.





8. OVEN - DAILY USE



WARNING!

Refer to Safety chapters.

8.1 Oven Functions

Oven function	Application
 Off position	The appliance is off.
1 - 8 ¹⁾ Heat settings	Range of temperature levels adjustment for the oven .
 Grilling	To grill flat food in the middle of the grill. To make toast.
 Oven lamp	To illuminate the oven interior. To use this function, press the button for the lamp.
 Turnspit	To spit roasting meat. To use this function, press the turnspit button.

1) 1 - 140°C, 2 - 155°C, 3 - 170°C, 4 - 185°C, 5 - 205°C, 6 - 220°C, 7 - 235°C, 8 - 250°C

8.2 Ignition of oven gas burner



CAUTION!

When turning on the oven burner the oven door must be opened.



CAUTION!

Make sure that the lid is opened. When using the oven the lid has to be opened to avoid overheating.



Oven safety device:

The gas oven has a thermocouple. It stops the gas flow if the flame goes out.

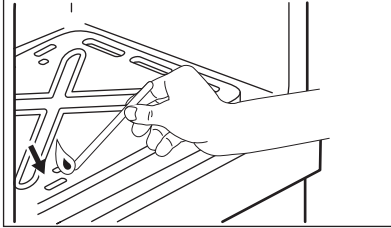
1. Open the oven door.
2. Turn the knob for the oven functions counterclockwise to the maximum heat settings and push it to light the burner.
3. Keep the knob for the oven functions pushed for 15 seconds or less to let the thermocouple warm up. If not, the gas flow is interrupted.

8.3 Manual ignition of oven gas burner

In case of absence of the electricity you can ignite the oven burner without an electrical device.

1. Open the oven door.

2. Hold the flame near the hole in the bottom of the oven cavity.



3. At the same time push the knob for the oven functions and turn it counterclockwise to the maximum gas flow position.
4. When the flame comes on, keep the knob for the oven functions pushed on the maximum gas flow position for 15 seconds or less to let the thermocouple warm up.

i Do not keep the knob for the oven functions pushed for more than 15 seconds. If the oven burner does not light after 15 seconds, release the knob for the oven functions, turn it into off position, open the oven door and try to light the oven burner again after minimum 1 minute.

8.4 After igniting the oven gas burner

1. Release the knob for the oven functions.
2. Close the oven door.
3. Turn the knob for the oven functions to set the necessary heat setting.

Control the flame through the holes in the bottom of the oven.

8.5 Turning off the oven burner

To put out the flame, turn the knob to the off position **0**.

8.6 Grill indicator

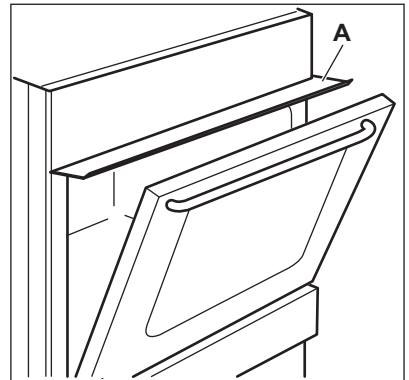
The grill indicator comes on when the grill cooking function is selected. It goes off when the oven reaches the correct

temperature. It then cycles on and off to show the temperature adjusts.

8.7 Using the grill

i The grill temperature cannot be adjusted. To get a lower temperature or slower cooking time, lower the grill pan away from the flame.

Before you use the grill, put the grill deflector A into the place above the door. Make sure that the two catches fit correctly in the holes in the top part of the front frame of the oven cavity (underneath the control panel).



i Do not put the meat directly on the tray or pan.




CAUTION!

Do not put the meat on the highest shelf level. There is a risk of fire.



CAUTION!

Make sure to turn the knob as far as it goes. Avoid the intermediary position between Off and Grill. On the intermediary positions the spark generator can remain active.

1. Open the oven door.
2. Turn the gas oven control knob to the Grill position . Push the knob in and hold pushed for approximately

15 seconds. Do not release it until the flame comes on.



If the grill does not come on or if it accidentally goes out release the oven control knob and turn it to the Off position. Open the oven door. After one minute, try to light the grill again.

3. Preheat the grill for 5 to 10 minutes.
4. Put the oven shelf with the meat on shelf position 3.
5. Put a baking tray or roasting pan below, on shelf position 2, to collect the juices.

9. OVEN - CLOCK FUNCTIONS


9.1 Minute Minder

Use it to set a countdown time.



This function has no effect on the operation of the appliance.

6. Keep the oven door slightly open.

If there is temporarily no power supply open the oven door, put the grill deflector and hold a flame near the grill burner holes and turn the oven knob to the Grill position .

8.8 Turning off the grill burner

To put out the flame, turn the knob to the off position **0**.

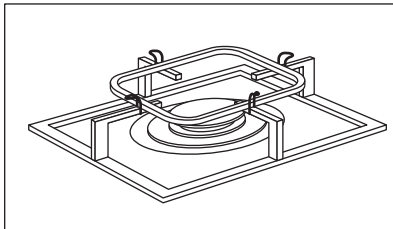
10. USING THE ACCESSORIES



WARNING!
Refer to Safety chapters.

10.1 Using the wok support

The wok support lets you use a round bottomed wok on the hob. Use the wok support on the Triple Crown burner only.



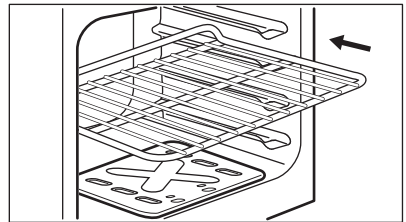
WARNING!
Make sure the wok support is assembled correctly and fits securely with the pan supports to prevent the pan/pot overturning.

10.2 Inserting the accessories

Wire shelf:



The wire shelf has a special shape in the rear which help with the heat circulation.



Put the shelf on the correct shelf position. Make sure it does not touch the back wall of the oven.

10.3 Using the turnspit



WARNING!

Be careful when you use the turnspit. The forks and the spit are sharp. There is a risk of injury.



WARNING!

Use oven gloves when you remove the turnspit. The turnspit and the grill are hot. There is a risk of burns.

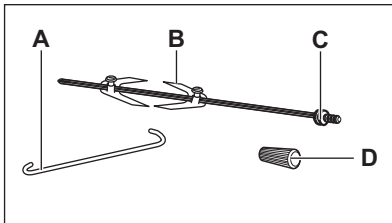


The turnspit does not stop if you open the oven door.



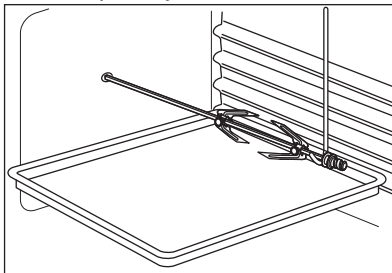
CAUTION!

The maximum weight permitted on the turnspit is 4 - 5 kg.

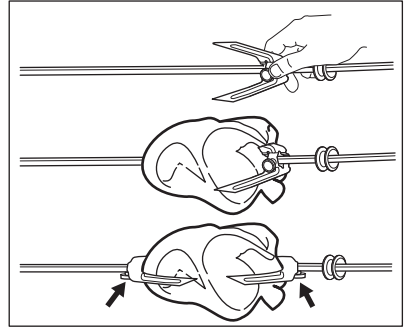



- A. Support hook
- B. Forks
- C. Spit
- D. Handle

1. Open the oven door.
2. Put the turnspit handle into the spit.
3. Put the deep pan on the lowest shelf level.
4. Put the support hook into the hole in the top cavity of the oven.



5. Install the first fork on the spit, then put the meat on the turnspit and install the second fork. Make sure that the meat is in the middle of the spit.



6. Use the screws to tighten the forks.
7. Put the tip of the spit into the turnspit hole. Refer to "Product description" chapter.
8. Put the front part of the spit on the support hook.
9. Remove the turnspit handle.
10. Light the grill. Refer to "Oven - Daily use" chapter.
11. Press the turnspit button .
12. Make sure that turnspit rotates.
13. Close the oven door.

When meat is ready press the turnspit button. Turn off the grill. Install the turnspit handle. Carefully remove the turnspit and the roasting pan from the oven.

11. OVEN - HINTS AND TIPS



WARNING!

Refer to Safety chapters.



The temperature and baking times in the tables are guidelines only. They depend on the recipes and the quality and quantity of the ingredients used.

11.1 General information

- The appliance has four shelf positions. Count the shelf positions from the bottom of the appliance floor.
- Moisture can condense in the appliance or on the door glass panels. This is normal. Always stand back from the appliance when you open the appliance door while cooking. To decrease the condensation, operate the appliance for 10 minutes before cooking.
- Clean the moisture after each use of the appliance.
- Do not put the objects directly on the appliance floor and do not put aluminium foil on the components when you cook. This can change the baking results and cause damage to the enamel.

11.2 Baking

- Your oven may bake or roast differently to the appliance you had before. Adapt your usual settings (temperature, cooking times) and shelf positions to the values in the tables.
- The manufacturer recommends that you use the lower temperature the first time.
- If you cannot find the settings for a special recipe, look for the one that is almost the same.
- You can extend baking times by 10 – 15 minutes if you bake cakes on more than one shelf position.

- Cakes and pastries at different heights do not always brown equally at first. If this occurs, do not change the temperature setting. The differences equalize during the baking procedure.
- With longer baking times, you can deactivate the oven approximately 10 minutes before the end of the baking time and then use the residual heat.

When you cook frozen food, the trays in the oven can twist during baking. When the trays become cold again, the distortions are gone.

11.3 Baking cakes

- Do not open the oven door before 3/4 of the set cooking time is up.
- If you use two baking trays at the same time, keep one empty level between them.

11.4 Cooking meat and fish

- Use a deep pan for very fatty food to prevent the oven from stains that can be permanent.
- Leave the meat for approximately 15 minutes before carving so that the juice does not seep out.
- To prevent too much smoke in the oven during roasting, add some water into the deep pan. To prevent the smoke condensation, add water each time after it dries up.

11.5 Cooking times

Cooking times depend on the type of food, its consistency, and volume.

Initially, monitor the performance when you cook. Find the best settings (heat setting, cooking time, etc.) for your cookware, recipes and quantities when you use this appliance.

11.6 Cooking table

Food	Quantity (g)	Ther- mostat posi- tion	Time (min)	Shelf posi- tion	Accessories
Pastry stripes ¹⁾	250	2	20 - 25	3	baking tray
Flat cake ¹⁾	1000	2	35 - 40	3	baking tray
Apple pie ¹⁾	1200 + 1200	6	55 - 65	3	2 round aluminized tray (diameter: 20 cm)
Small cakes ¹⁾	500	2 - 3	25 - 30	3	baking tray
Fatless sponge cake ¹⁾	350	3	30 - 35	3	1 round tray (diame- ter: 26 cm)
Drip pan cake	1500	2 - 3	40 - 50 ²⁾	3	baking tray
Chicken, whole	1400	8	50 - 60	3	wire shelf
				3	baking tray
Flan bread ³⁾	800	6 - 7	15 - 20	3	baking tray
Stuffed yeast cake ⁴⁾	1200	4 - 5	40 - 50	3	baking tray
Pizza ¹⁾	1000	5 - 6	25 - 30	3	baking tray
Cheese cake	2600	3	70 - 80	3	baking tray
Swiss apple flan ⁴⁾	1900	6 - 7	40 - 50	3	baking tray
Christmas cake ⁵⁾	2400	3 - 4	60 ²⁾	3	baking tray
Quiche Lor- raine ⁴⁾	1000	5 - 6	50 - 60	3	1 round tray (diame- ter: 26 cm)
Peasant bread ⁵⁾	750 + 750	4 - 5	50 - 60	3	2 round aluminized tray (diameter: 20 cm)
Romanian sponge cake ¹⁾	600 + 600	2 - 3	50 - 60	3	2 round aluminized trays (diameter: 25 cm)
Romanian sponge cake - traditional ¹⁾	600 + 600	2 - 3	40 - 50	3	2 round aluminized trays (diameter: 25 cm)

Food	Quantity (g)	Thermostat position	Time (min)	Shelf position	Accessories
Swiss roll ¹⁾	500	2 - 3	20 - 25	3	baking tray
Meringue	400	1	40 - 50	3	baking tray
Petit Choux ¹⁾	500	2 - 3	30 - 35	3	baking tray
Crumble cake ⁴⁾	1500	5 - 6	30 - 35	3	baking tray
Sponge cake ¹⁾	600	2	30 - 35	3	baking tray
Buttered cake ⁴⁾	600	3	20 - 25	3	baking tray

1) Preheat the oven for 10 minutes.

2) After you switch off the appliance, leave the cake in the oven for 5 minutes.

3) Preheat the oven for 20 minutes.

4) Preheat the oven for 15 minutes.

5) Preheat the oven for 15 minutes with the thermostat set at position 8.

11.7 Grill with turnspit

Food	Quantity (g)	Time (min)	Shelf position	Accessories
Chicken, whole	1000	90	1	baking tray

12. OVEN - CARE AND CLEANING



WARNING!

Refer to Safety chapters.

12.1 Notes on cleaning

- Clean the front of the appliance with a soft cloth with warm water and a cleaning agent.
- To clean metal surfaces, use a dedicated cleaning agent.
- Clean the appliance interior after each use. Fat accumulation or other food remains may result in a fire. The risk is higher for the grill pan.
- Clean stubborn dirt with a special oven cleaner.
- Clean all accessories after each use and let them dry. Use a soft cloth with warm water and a cleaning agent.
- If you have nonstick accessories, do not clean them using aggressive agents, sharp-edged objects or a dishwasher. It can cause damage to the nonstick coating.

12.2 Stainless steel or aluminium appliances

- i** Clean the oven door with a damp cloth or sponge only. Dry it with a soft cloth. Do not use steel wool, acids or abrasive materials as they can damage the oven surface. Clean the oven control panel with the same precautions.

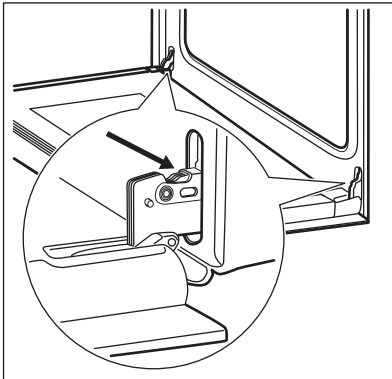
12.3 Cleaning the oven door

The oven door has three glass panels. You can remove the oven door and the internal glass panels to clean them.

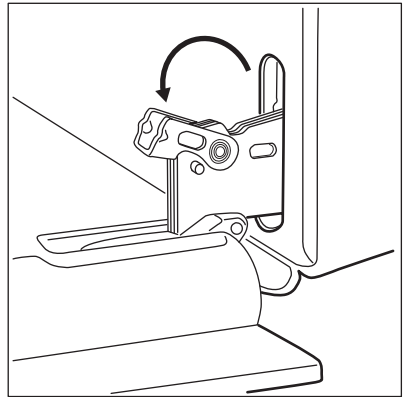
- i** The oven door can close if you try to remove the glass panels before you remove the oven door.

- !** **CAUTION!**
Do not use the appliance without the glass panels.

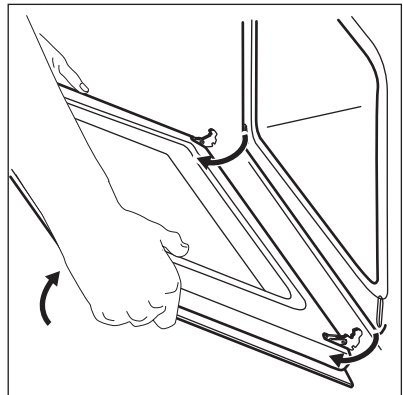
1. Open the door fully and hold the two door hinges.



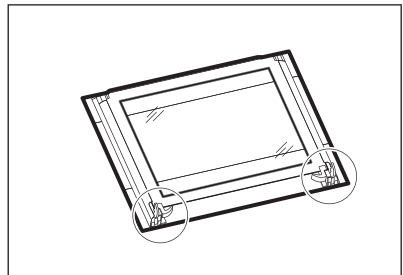
2. Lift and turn the levers on the two hinges.



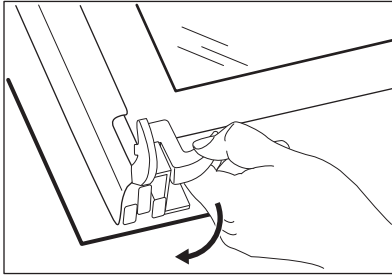
3. Close the oven door halfway to the first opening position. Then pull forward and remove the door from its seat.



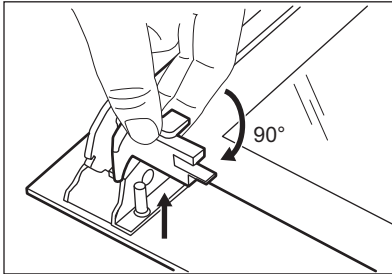
4. Put the door on a soft cloth on a stable surface.



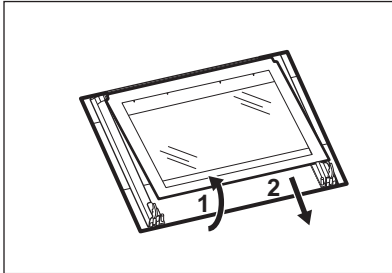
5. Release the locking system to remove the glass panels.



6. Turn the two fasteners by 90° and remove them from their seats.



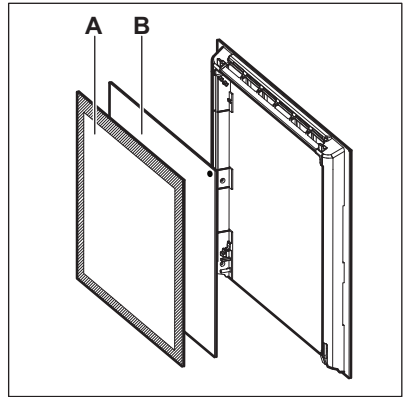
7. First lift carefully and then remove the glass panels one by one. Start from the top panel.



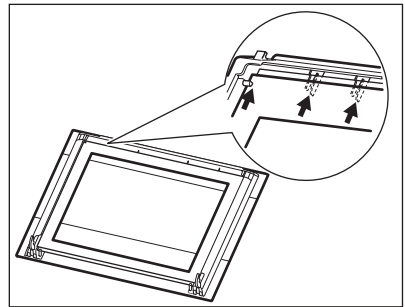
8. Clean the glass panels with water and soap. Dry the glass panels carefully.

When the cleaning is completed, install the glass panels and the oven door. Do the above steps in the opposite sequence.

Make sure that you put the glass panels (A and B) back in the correct sequence.



Make sure that you install the middle panel of glass in the seats correctly.



12.4 Replacing the lamp

Put a cloth on the bottom of the interior of the appliance. It prevents damage to the lamp glass cover and the cavity.



WARNING!

Danger of electrocution!
Disconnect the fuse before you replace the lamp.
The lamp and the lamp glass cover can be hot.

1. Deactivate the appliance.
2. Remove the fuses from the fuse box or deactivate the circuit breaker.

The back lamp

1. Turn the lamp glass cover counterclockwise to remove it.
2. Clean the glass cover.

3. Replace the lamp with a suitable 300 °C heat-resistant lamp.
4. Install the glass cover.

13. TROUBLESHOOTING



WARNING!

Refer to Safety chapters.

13.1 What to do if...

Problem	Possible cause	Remedy
There is no spark when you try to activate the spark generator.	The hob is not connected to an electrical supply or it is connected incorrectly.	Check if the hob is correctly connected to the electrical supply. Refer to the connection diagram.
There is no spark when you try to activate the spark generator.	The fuse is blown.	Make sure that the fuse is the cause of the malfunction. If the fuse is blown again and again, contact a qualified electrician.
There is no spark when you try to activate the spark generator.	Burner cap and crown are placed incorrectly.	Place the burner cap and crown correctly.
The flame extinguishes immediately after ignition.	Thermocouple is not heated up sufficiently.	After lightning the flame, keep the spark generator activated for equal or less than 10 seconds
The flame ring is uneven.	Burner crown is blocked with food residues.	Make sure that the injector is not blocked and the burner crown is clean.
The burners do not work.	There is no gas supply.	Check the gas connection.
The appliance makes noises.		Some metal parts of the appliance expand and contract when they heat up or cool down. The noises are normal.
The flame colour is orange or yellow.		The flame can look orange or yellow in some areas of the burner. This is normal.
The lamp does not operate.	The lamp is defective.	Replace the lamp.
Steam and condensation settle on the food and in the cavity of the oven.	You left the dish in the oven for too long.	Do not leave the dishes in the oven for longer than 15 - 20 minutes after the cooking process ends.

Problem	Possible cause	Remedy
The oven does not heat up.	The necessary settings are not set.	Make sure that the settings are correct.
The turnspit does not rotate.	The turnspit is not correctly installed into the turnspit hole.	Refer to "Using the turnspit".
It takes too long to cook the dishes or they cook too quickly.	The temperature is too low or too high.	Adjust the temperature if necessary. Follow the advice in the user manual.

13.2 Service data

If you cannot find a solution to the problem yourself, contact your dealer or an Authorised Service Centre.

The necessary data for the service centre is on the rating plate. The rating

plate is on the front frame of the appliance cavity. Do not remove the rating plate from the appliance cavity.

We recommend that you write the data here:	
Model (MOD.)
Product number (PNC)
Serial number (S.N.)

14. INSTALLATION

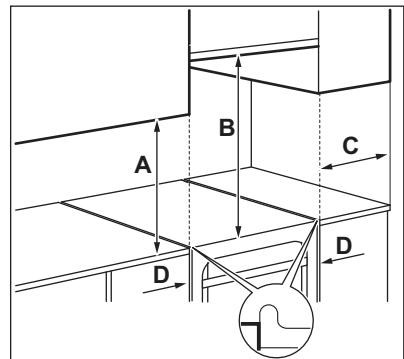
WARNING!
Refer to Safety chapters.

14.1 Location of the appliance

You can install your freestanding appliance with cabinets on one or two sides and in the corner.

i Keep a distance of about 1 cm between the appliance and the back wall to make sure that the lid opens.

For minimal distances for fitting check the table.



Minimum distances

Dimension	mm
A	400
B	650
C	150

Dimension	mm
D	20

14.2 Technical data

Voltage	220 - 240 V
Frequency	50 / 60 Hz

Appliance class	1
-----------------	---

Dimension	mm
Height	855
Width	600
Depth	600

14.3 Other technical data

Appliance category:	I3B/P
Gas original:	G30 30 mbar

14.4 Bypass diameters

BURNER	Ø BYPASS ¹⁾ 1/100 mm
Auxiliary	29 / 30
Semi-rapid	32
Triple Crown	67
Oven	44

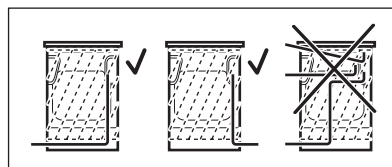
¹⁾ Type of bypass depends on model.

14.5 Gas burners for LPG G30 30 mbar

BURNER	NORMAL POWER kW	REDUCED POWER kW	INJECTOR MARK 1/100 mm	NOMINAL GAS FLOW g/h
Triple Crown	4.0	1.80	101	291
Semi-rapid	2.0	0.43	71	145
Auxiliary	1.0	0.35	50	73
Oven	2.7	0.90	80	196
Grill	1.9	-	71	138

14.6 Gas connection

Use a fixed connections or use a flexible stainless steel pipes in compliance with the regulation in force. If you use flexible metallic pipes, make sure they do not come in touch with mobile parts and they are not squeezed.





WARNING!

The gas connection pipe must not touch the part of the appliance shown in the illustration.

14.7 Flexible nonmetal pipes connection

If you have an easy access to the connection, you can use a flexible pipe. The flexible pipe must be tightly attached by clamps.

In installation always use the pipe holder and the gasket. The flexible pipe can be applied when:

- it can not get hotter than room temperature, higher than 30 °C,
- it is not longer than 1500 mm,
- it has no narrowing anywhere,
- it is not twisted or tighten,
- it does not get in touch with sharp edges or corners,
- it's conditions can be easily checked.

When checking the flexible pipe make sure:

- it does not show cracks, cuts, marks of burnings on the two ends and on its full length,
- the material is not hardened, but shows its correct elasticity,
- the fastening clamps are not rusted,
- expired term is not due.

If one or more defects are visible, do not repair the pipe, but replace it.



WARNING!

When installation is complete, make sure that the seal of each pipe fitting does not leak. To check the seal use a soap solution, not a flame.

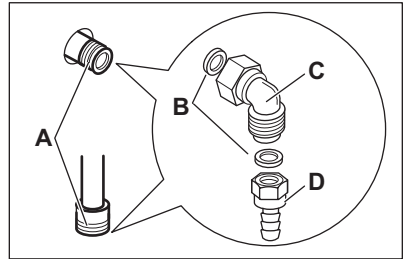
The gas supply ramp is on the rear side of the control panel.



WARNING!

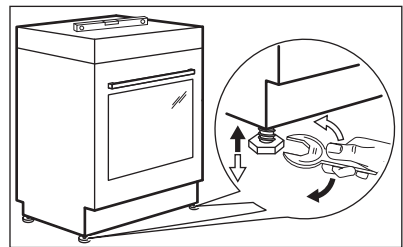
Before you connect the gas, disconnect the appliance from the electricity supply or switch off the fuse in the fuse box. Close the primary valve of the gas supply.

14.8 Connection to gas supply



- A. Gas connection point (only one point is applicable for the appliance)
- B. Gasket
- C. Adjustable connection
- D. LPG pipe holder

14.9 Levelling of the appliance



Use small feet on the bottom of appliance to set the appliance top surface level with other surfaces.

14.10 Anti-tilt protection

Set the correct height and area for the appliance before you attach the anti-tilt protection.



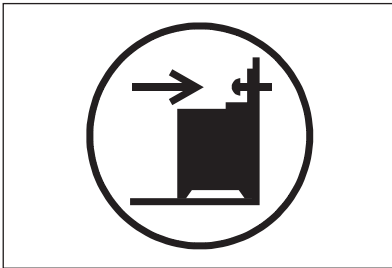
CAUTION!

Make sure you install the anti-tilt protection at the correct height.

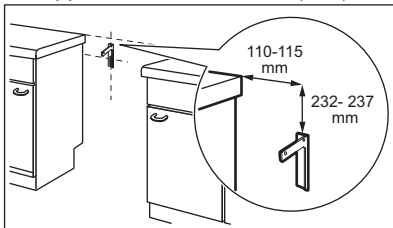
- i** Make sure that the surface behind the appliance is smooth.

You must install the anti-tilt protection. If you do not install it, the appliance can tilt.

Your appliance has the symbol shown on the picture (if applicable) to remind you about the installation of the anti-tilt protection.



1. Install the anti-tilt protection 232 - 237 mm down from the top surface of the appliance and 110 - 115 mm from the side of the appliance into the circular hole on a bracket. Screw it into the solid material or use applicable reinforcement (wall).



2. You can find the hole on the left side at the back of the appliance. Lift the front of the appliance and put it in the middle of the space between the cupboards. If the space between the bench cupboards is larger than the width of the appliance, you must adjust the side measurement to centre the appliance.

- i** If you changed the dimensions of the cooker, you must align the non-tip device correctly.

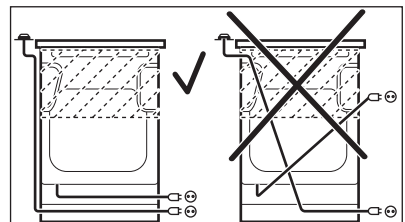
CAUTION!
If the space between the bench cupboards is larger than the width of the appliance, you must adjust the side measurement to the centre of the appliance.

14.11 Electrical installation

WARNING!
The manufacturer is not responsible if you do not follow the safety precautions from Safety chapters.

This appliance is supplied with a main plug and a main cable.

WARNING!
The power cable must not touch the part of the appliance shown in the illustration.



15. ENERGY EFFICIENCY

15.1 Product information for hob according to EU 66/2014

Model identification	EKG61107OX	
Type of hob	Hob inside Freestanding Cooker	
Number of gas burners	4	
Energy efficiency per gas burner (EE gas burner)	Left rear - Semi Rapid	55.0%
	Right rear- Semi Rapid	55.0%
	Right front - Auxiliary	not applicable
	Left Front - Triple Crown	52.5%
Energy efficiency for the gas hob (EE gas hob)	54.2%	

EN 30-2-1: Domestic cooking appliances burning gas - Part 2-1 : Rational use of energy - General

15.2 Hob - Energy saving

You can save energy during everyday cooking if you follow below hints.

- When you heat up water, use only the amount you need.
- If it is possible, always put the lids on the cookware.
- Before you use the burners and pan support make sure they are assembled correctly.
- The cookware bottom should have the correct diameters for the burner size.
- Put the cookware directly over the burner and in the centre of it.
- When the liquid starts to boil, turn down the flame to barely simmer the liquid.
- If it is possible, use a pressure cooker. Refer to its user manual.


15.3 Oven - Energy saving


The appliance contains features which help you save energy during everyday cooking.

• **General hints**

- Make sure that the oven door is closed properly when the appliance operates and keep it closed as much as possible during the cooking.
- Use metal dishes to improve the energy saving.
- When possible, put the food inside the oven without heating it up.
- When the cooking duration is longer than 30 minutes, reduce the oven temperature to minimum, 3 - 10 minutes before the end of the cooking time, depending on the duration of the cooking. The residual heat inside the oven will continue to cook.
- Use the residual heat to warm up other foods.
- **Keep food warm** - if you want to use the residual heat to keep the meal warm, choose the lowest possible temperature setting.

16. ENVIRONMENTAL CONCERNS

Recycle the materials with the symbol . Put the packaging in applicable containers to recycle it. Help protect the environment and human health and to recycle waste of electrical and electronic appliances. Do not dispose appliances

marked with the symbol  with the household waste. Return the product to your local recycling facility or contact your municipal office.

DAFTAR ISI

1. INFORMASI KESELAMATAN.....	29
2. PANDUAN KESELAMATAN.....	31
3. DESKRIPSI PRODUK.....	35
4. SEBELUM MENGGUNAKAN PERTAMA KALI.....	36
5. KOMPOR - PENGGUNAAN SEHARI-HARI.....	36
6. KOMPOR - PETUNJUK DAN TIPS.....	37
7. KOMPOR - PERAWATAN DAN PEMBERSIHAN.....	38
8. OVEN - PENGGUNAAN SEHARI-HARI	39
9. OVEN - FUNGSI JAM.....	41
10. MENGGUNAKAN AKSESORIS.....	41
11. OVEN - PETUNJUK DAN TIPS.....	43
12. OVEN - PERAWATAN DAN PEMBERSIHAN.....	46
13. PENYELESAIAN MASALAH.....	48
14. PEMASANGAN.....	50
15. EFISIENSI ENERGI.....	53

KAMI MEMIKIRKAN ANDA

Terima kasih Anda telah membeli peralatan Electrolux. Anda telah memilih produk yang memiliki pengalaman dan inovasi profesional selama puluhan tahun. Canggih dan bergaya, peralatan ini dirancang supaya cocok dengan pikiran Anda. Jadi saat digunakan, Anda akan merasa yakin untuk mendapatkan hasil terbaik setiap saat.

Selamat datang di Electrolux.

Kunjungi situs web kami untuk:



Mendapatkan saran yang bermanfaat, brosur, pemecahan masalah, informasi layanan:

www.electrolux.com/webselfservice



Mendaftarkan produk untuk layanan yang lebih baik:

www.registerelectrolux.com



Membeli Aksesoris, persediaan, dan Suku Cadang Asli untuk perangkat Anda:

www.electrolux.com/shop

LAYANAN PELANGGAN DAN SERVIS

Kami merekomendasikan penggunaan suku cadang asli. Jika menghubungi Layanan Pelanggan Resmi kami, pastikan Anda mempersiapkan data berikut ini: Model, PNC, Nomor Seri. Informasi tersebut dapat ditemukan di pelat rating.



Informasi Peringatan / Hati-hati



Informasi dan tips umum



Informasi lingkungan

Dapat berubah tanpa pemberitahuan.

1. INFORMASI KESELAMATAN

Sebelum memasang dan menggunakan peralatan, bacalah dengan saksama petunjuk yang disertakan. Produsen tidak bertanggung jawab terhadap setiap cedera dan kerusakan yang diakibatkan pemasangan atau penggunaan yang tidak benar. Selalu simpan petunjuk di tempat yang aman dan mudah dijangkau sebagai rujukan di kemudian hari.

1.1 Keselamatan anak-anak dan orang-orang yang rentan



PERINGATAN!

Risiko sesak napas, cedera, atau cacat permanen.

- Peralatan ini dapat digunakan oleh anak berumur 8 tahun ke atas dan oleh orang-orang dengan reduksi kemampuan dengan ketentuan mereka telah menerima petunjuk dan/atau pengawasan mengenai penggunaan peralatan yang aman serta mengerti kemungkinan bahaya yang dapat timbul.
- Jangan biarkan anak-anak bermain dengan peralatan ini.
- Jauhkan semua kemasan dari anak-anak dan buang dengan benar.
- Jauhkan anak-anak dan hewan peliharaan dari peralatan yang sedang dioperasikan atau mendingin. Komponen yang dapat dijangkau dalam kondisi panas.
- Jangan biarkan anak-anak mencuci dan melakukan perawatan terhadap peralatan tanpa pengawasan.

1.2 Keselamatan Umum

- Hanya orang yang kompeten yang boleh memasang peralatan ini dan mengganti kabelnya.

- Jangan mengoperasikan peralatan dengan cara menggunakan timer eksternal atau sistem remote control terpisah.
- PERINGATAN: Memasak tanpa pengawasan pada kompor tanam menggunakan lemak atau minyak dapat membahayakan dan bisa menyebabkan kebakaran.
- JANGAN mencoba memadamkan kebakaran menggunakan air, namun matikan peralatan lalu tutup api misalnya menggunakan penutup atau selimut anti api.
- PERHATIAN: Proses memasak harus diawasi. Proses memasak dalam jangka waktu pendek harus diawasi terus-menerus.
- PERINGATAN: Bahaya kebakaran: Jangan menyimpan barang pada permukaan memasak.
- Jangan gunakan pembersih uap untuk membersihkan peralatan.
- Jangan gunakan pembersih abrasif yang kasar atau alat pengikis logam yang tajam untuk membersihkan pintu kaca atau tutup kaca berengsel pada kompor tanam karena dapat menimbulkan goresan di kaca yang dapat mengakibatkan kaca pecah.
- Benda logam seperti pisau, garpu, sendok dan penutup tidak boleh ditempatkan di permukaan kompor tanam karena dapat menjadi panas.
- Buang setiap tumpahan dari penutup sebelum dibuka. Biarkan permukaan kompor tanam mendingin sebelum menutup penutup.
- PERINGATAN: Peralatan dan komponen yang dapat dijangkau akan menjadi panas selama penggunaan. Berhati-hatilah untuk tidak menyentuh elemen pemanas. Anak-anak di bawah usia 8 tahun harus dijauhkan dari peralatan ini kecuali jika selalu diawasi.
- Selalu gunakan sarung tangan oven untuk mengeluarkan atau memasukkan aksesori atau piranti oven.

- Matikan sumber listrik sebelum perawatan.
- Pastikan peralatan dimatikan sebelum mengganti lampu untuk mencegah kemungkinan sengatan listrik.
- Jika kabel catu daya rusak, penggantian hanya boleh dilakukan oleh pabrik, Pusat Layanan Resmi, atau orang yang memiliki kualifikasi serupa untuk menghindari bahaya tersengat listrik.
- **PERINGATAN:** Hanya gunakan pelindung kompor tanam yang dirancang oleh produsen peralatan masak atau yang dalam petunjuk penggunaan dinyatakan cocok untuk digunakan atau pelindung kompor tanam yang disertakan pada peralatan. Penggunaan pelindung secara tidak tepat dapat menyebabkan kecelakaan.

2. PANDUAN KESELAMATAN

Mesin ini cocok untuk pasar berikut ini:



2.1 Pemasangan



PERINGATAN!

Hanya orang yang kompeten yang boleh memasang peralatan ini.

- Buka seluruh kemasan.
- Jangan memasang atau menggunakan peralatan yang telah rusak.
- Ikuti petunjuk pemasangan yang disertakan bersama peralatan ini.
- Selalu berhati-hati ketika memindahkan peralatan yang berat ini. Selalu gunakan sarung tangan pelindung dan alas kaki tertutup.
- Jangan menarik peralatan ini pada pegangannya.
- Kabinet dapur dan ruang untuk meletakkan peralatan ini harus mempunyai dimensi yang sesuai.
- Pertahankan jarak minimum dari peralatan dan unit lain.
- Pastikan peralatan dipasang di bawah konstruksi yang aman dan berdekatan.

- Komponen peralatan mengandung arus. Tutup peralatan dengan mebel untuk mencegahnya bersentuhan dengan komponen berbahaya.
- Bagian samping peralatan harus tetap berdekatan dengan peralatan atau unit yang tingginya sama.
- Jangan memasang peralatan pada platform.
- Jangan memasang peralatan berdekatan dengan pintu atau di bawah jendela. Ini mencegah peralatan memasak yang panas terjatuh dari peralatan ketika pintu atau jendela dibuka.
- Pastikan Anda memasang alat penstabil untuk mencegah terjadinya ketidakseimbangan pada peralatan. Lihat bab Pemasangan.

2.2 Sambungan listrik



PERINGATAN!

Risiko kebakaran dan sengatan listrik.

- Semua sambungan listrik harus dilakukan oleh teknisi listrik yang kompeten.
- Peralatan ini harus dihubungkan ke arde.

- Pastikan informasi listrik pada pelat rating sesuai dengan catu daya. Jika tidak, hubungi teknisi listrik.
- Selalu gunakan soket tahan kejutan listrik yang dipasang dengan benar.
- Jangan gunakan adaptor multi-steker dan kabel ekstensi.
- Jangan biarkan kabel jaringan listrik bersentuhan atau mendekati pintu peralatan, terutama jika pintu peralatan masih panas.
- Perlindungan kejut pada bagian yang terisolasi dan aktif harus dikencangkan agar tidak dapat dilepas tanpa peralatan.
- Sambungkan steker jaringan listrik dengan soket jaringan listrik di akhir pemasangan. Pastikan adanya akses dengan steker jaringan listrik setelah pemasangan.
- Jika soket jaringan listrik kendur, jangan sambungkan steker jaringan listrik.
- Jangan tarik kabel listrik untuk memutus sambungan peralatan. Selalu tarik steker jaringan listrik.
- Gunakan hanya peralatan isolasi yang tepat: pengaman jaringan daya putus, sekering (sekering model sekrup yang dilepas dari tempat pemasangannya), pemutus-sambung kebocoran arus hubungan ke tanah.
- Instalasi listrik harus memiliki perangkat isolasi yang memungkinkan pemutusan sambungan peralatan dari jaringan listrik pada semua kutub. Lebar lubang kontak perangkat isolasi ini sekurang-kurangnya harus sebesar 3 mm.
- Tutup pintu peralatan dengan rapat sebelum menghubungkan steker jaringan listrik ke soket jaringan listrik.

2.3 Sambungan gas

- Semua saluran gas harus dipasang oleh teknisi resmi.
- Sebelum pemasangan, pastikan bahwa kondisi distribusi setempat (sifat gas dan tekanan gas) dan penyesuaian peralatan telah sesuai.
- Pastikan terdapat sirkulasi udara di sekitar peralatan.

- Informasi mengenai suplai gas terdapat pada pelat rating.
- Peralatan ini tidak terhubung pada suatu perangkat yang mengeluarkan produk pembakaran. Pastikan Anda menghubungkan peralatan sesuai dengan aturan pemasangan terkini. Perhatikan kriteria ventilasi yang mencukupi.

2.4 Pemakaian



PERINGATAN!

Risiko cedera dan luka bakar.
Risiko sengatan listrik.

- Peralatan ini hanya digunakan untuk keperluan rumah tangga.
- Jangan mengubah spesifikasi peralatan ini.
- Pastikan lubang ventilasi tidak terhalang.
- Jangan meninggalkan peralatan selama dioperasikan.
- Matikan peralatan setelah selesai digunakan.
- Berhati-hatilah ketika membuka pintu peralatan saat sedang dioperasikan. Udara panas akan dihembuskan keluar.
- Jangan mengoperasikan peralatan dengan tangan yang basah atau saat peralatan terkena air.
- Jangan gunakan peralatan sebagai landasan untuk kerja atau sebagai landasan penyimpanan.



PERINGATAN!

Risiko kebakaran dan ledakan

- Lemak dan minyak bila dipanaskan dapat menimbulkan uap yang mudah terbakar. Jauhkan api atau benda panas jauh dari lemak dan minyak saat Anda memasak menggunakan bahan-bahan tersebut.
- Uap yang dikeluarkan minyak yang sangat panas dapat menyebabkan pembakaran spontan.
- Minyak yang sudah digunakan, yang berisi sisa-sisa makanan, dapat menyebabkan kebakaran pada suhu yang lebih rendah daripada minyak yang pertama kali digunakan.

- Jangan letakkan produk yang mudah terbakar, atau benda yang dibasahi produk yang mudah terbakar, di dalam, di dekat atau di atas perangkat.
- Hindarkan peralatan dari percikan api atau nyala api ketika pintu dibuka.
- Bukalah pintu peralatan secara hati-hati. Penggunaan bahan yang mengandung alkohol dapat menyebabkan pencampuran alkohol dan udara.



PERINGATAN!

Risiko kerusakan peralatan.

- Untuk mencegah kerusakan atau pemudaran warna pada lapisan cat:
 - jangan meletakkan oven atau benda lain di dalam peralatan secara langsung di bagian bawah.
 - jangan memasukkan air langsung ke dalam perangkat yang panas.
 - jangan menyimpan makanan dan hidangan yang lembap di dalam peralatan setelah selesai memasak.
 - berhati-hatilah ketika melepas atau memasang aksesoris.
- Pemudaran warna lapisan cat tidak berpengaruh pada kinerja perangkat.
- Gunakan loyang tinggi untuk kue basah. Jus buah menimbulkan noda yang dapat menjadi permanen.
- Jangan menyimpan peralatan memasak yang panas di panel kontrol.
- Jangan gunakan peralatan masak untuk merebus masakan hingga kering.
- Berhati-hatilah agar benda atau peralatan memasak tidak jatuh pada peralatan. Permukaan dapat rusak.
- Jangan mengaktifkan zona memasak dengan peralatan memasak kosong atau tanpa peralatan memasak.
- Jangan meletakkan kertas aluminium secara langsung di atas atau di bawah peralatan.
- Peralatan memasak yang terbuat dari besi cor, aluminium atau dengan dasar yang rusak dapat menyebabkan goresan. Selalu angkat benda-benda ketika Anda

memindahkannya pada permukaan memasak.

- Sediakan ventilasi yang baik di ruangan tempat alat terpasang.
- Gunakan hanya peralatan masak yang stabil dengan bentuk yang tepat dan diameternya lebih lebar dari dimensi tungku.
- Pastikan api tidak mati saat Anda memutar kenop dengan cepat dari posisi maksimal ke minimal.
- Gunakan hanya aksesoris yang disertakan bersama peralatan ini.
- Jangan memasang penyebar api pada tungku.
- Peralatan ini hanya digunakan untuk keperluan memasak. Perangkat tidak boleh digunakan untuk keperluan lainnya untuk memanaskan ruangan.

2.5 Perawatan dan Pembersihan



PERINGATAN!

Risiko cedera, kebakaran atau kerusakan pada peralatan.

- Sebelum melakukan pemeliharaan, nonaktifkan peralatan. Cabutlah steker listrik dari soket listrik.
- Pastikan peralatan sudah dingin. Panel kaca memiliki risiko pecah.
- Ganti segera panel kaca pintu jika mengalami kerusakan. Hubungi Pusat Servis Resmi.
- Berhati-hatilah ketika melepas pintu dari peralatan. Pintunya berat!
- Sisa lemak dan makanan pada peralatan dapat menyebabkan timbulnya api dan percikan bunga api ketika fungsi microwave beroperasi.
- Bersihkan peralatan secara teratur untuk mencegah penurunan kualitas material permukaan.
- Bersihkan peralatan dengan kain lembut yang lembap. Gunakan hanya detergen netral. Jangan gunakan produk abrasif, bantalan pembersih abrasif, bahan pelarut, atau benda logam.

- Jika menggunakan semprotan oven, patuhi petunjuk keselamatan pada kemasan.
- Jangan bersihkan enamel katalitis (jika dapat dilakukan) dengan deterjen apa pun.
- Jangan membersihkan tungku di mesin pencuci piring.

2.6 Tutup

- Jangan mengubah spesifikasi penutup ini.
- Bersihkan penutup secara teratur.
- Jangan membuka penutup jika ada tumpahan di permukaannya.
- Sebelum Anda menutup penutup, matikan semua pemanas.
- Jangan menutup penutup sampai kompor dan oven benar-benar dingin.
- Penutup kaca dapat pecah saat dipanaskan (jika tersedia).



2.7 Lampu internal

- Jenis bola lampu atau lampu halogen yang digunakan pada peralatan ini hanya diperuntukkan bagi peralatan rumah tangga. Jangan digunakan untuk penerangan rumah.



PERINGATAN!

Risiko sengatan listrik.

- Sebelum mengganti lampu, putus sambungan listriknya.
- Gunakan hanya lampu dengan spesifikasi yang sama.

2.8 Pemanggang Gas



PERINGATAN!

Risiko kebakaran, ledakan dan luka bakar.

- Selama memanggang, jangan meninggalkan peralatan tanpa pengawasan. Komponen-komponen yang dapat dijangkau akan panas.
- Selama penggunaan, jauhkan pemanggang dari jangkauan anak-anak.
- Jangan pernah menggunakan pemanggang dengan pintu oven dalam keadaan tertutup. Biarkan pintu oven terbuka. Terdapat risiko kebakaran atau emisi karbon monoksida.
- Jangan meletakkan rak oven yang berisi makanan di tingkat rak paling atas.

2.9 Pembuangan



PERINGATAN!

Risiko cedera atau sesak napas.

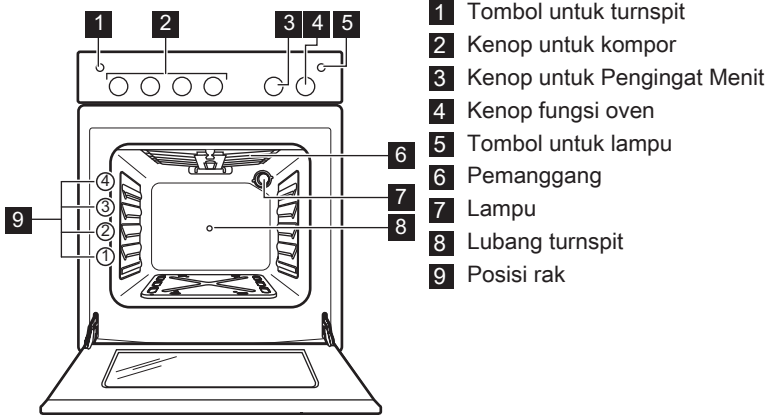
- Untuk informasi tentang cara membuang peralatan secara tepat, hubungi pihak berwenang di daerah Anda.
- Lepaskan sambungan peralatan dari catu daya.
- Potong kabel listrik yang dekat dengan peralatan dan buang.
- Lepas pengait pintu untuk mencegah agar anak-anak dan hewan peliharaan tidak terjebak dalam peralatan.
- Ratakan pipa gas eksternal.

2.10 Servis

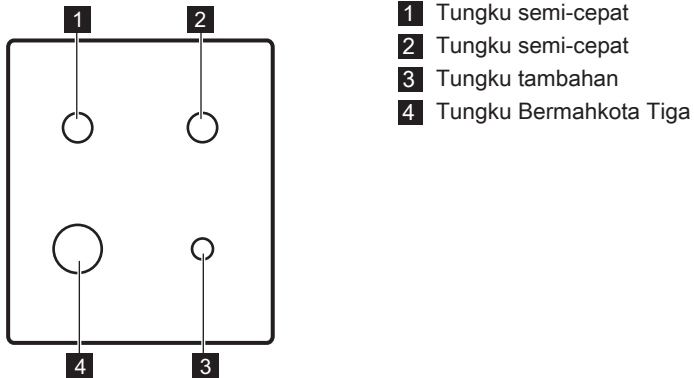
- Untuk memperbaiki peralatan hubungi Pusat Servis Resmi.
- Hanya gunakan suku cadang yang asli.

3. DESKRIPSI PRODUK

3.1 Ikhtisar umum



3.2 Tata letak permukaan masak



3.3 Aksesori

- **Rak kawat**
Untuk peralatan memasak, loyang kaleng kue, dan pembakaran.
- **Loyang Bakar**
Untuk memanggang dan membakar atau sebagai loyang untuk menampung minyak.
- **Turnspit**
Untuk memanggang ruas daging besar atau unggas.
- **Deflektor panggangan**
Untuk melindungi kenop saat Anda menggunakan pemanggang.
- **Ruang penyimpanan**
Ruang penyimpanan berada di bawah rongga oven. Untuk menggunakan ruang penyimpanan, angkat pintu depan bawah kemudian tarik ke bawah.



PERINGATAN!

Ruang penyimpanan dapat menjadi panas saat peralatan digunakan.

• **Dudukan wajan**

Untuk memasak dengan wajan.

4. SEBELUM MENGGUNAKAN PERTAMA KALI



PERINGATAN!

Silakan baca bab Keselamatan.

4.1 Pembersihan Awal

Lepas semua aksesoris dari peralatan.



Lihat bab "Perawatan dan pembersihan".

Bersihkan peralatan dan aksesoris sebelum digunakan untuk pertama kali.

Pasangkan aksesoris kembali ke posisi aslinya.

4.2 Pemanasan awal

Panaskan peralatan yang kosong terlebih dulu untuk membakar minyak yang tersisa.

1. Atur suhu maksimum.

2. Biarkan peralatan beroperasi selama sekitar 1 jam.



PERINGATAN!

Aksesoris dapat menjadi lebih panas dari biasanya.

Peralatan dapat mengeluarkan bau dan asap. Ini merupakan hal yang normal. Pastikan bahwa aliran udara memadai.

Biarkan oven mendingin. Basahi lap lembut dengan air hangat dan sedikit cairan pencuci yang lembut, dan gunakan untuk membersihkan rongga oven.

5. KOMPOR - PENGGUNAAN SEHARI-HARI



PERINGATAN!

Silakan baca bab Keselamatan.

5.1 Menyalakan api kompor




Selalu nyalakan api kompor sebelum Anda meletakkan peralatan masak.



PERINGATAN!

Berhati-hatilah saat Anda menggunakan api terbuka di lingkungan dapur. Produsen tidak bertanggung jawab jika terjadi penyalahgunaan api.

1. Putar kenop kompor berlawanan arah jarum jam ke posisi aliran gas maksimal  dan tekan untuk menyalakan tungku.

2. Tahan kenop kompor selama 10

detik atau kurang agar thermocouple memanaskan. Jika tidak, suplai gas akan terhambat.

3. Setel nyala api setelah normal.



PERINGATAN!

Jangan tahan kenop selama lebih dari 15 detik. Jika api kompor tidak menyala setelah 15 detik, lepaskan kenop, putar ke posisi mati dan cobalah menyalakan kembali setelah setidaknya 1 menit.



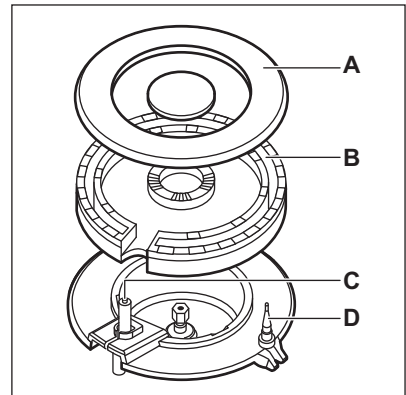
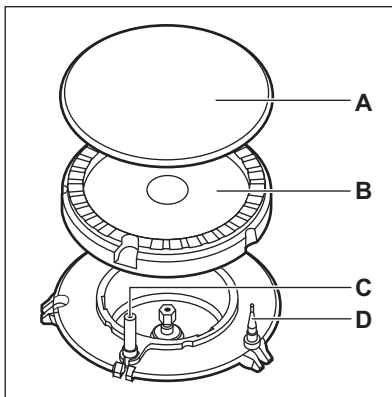
Jika tungku tidak juga menyala setelah beberapa kali dicoba, periksa apakah mahkota dan cungkupnya berada di posisi yang benar.

i Jika tidak ada daya listrik, Anda dapat menyalakan api kompor tanpa menggunakan perangkat listrik. Dalam hal ini, dekatkan nyala api ke tungku, tekan kenop yang sesuai dan putar ke posisi maksimal. Tahan kenop selama 10 detik atau kurang agar thermocouple memanas.

i Jika tungku tiba-tiba mati, putar kenop ke posisi mati dan coba nyalakan tungku kembali setelah setidaknya 1 menit.

i Generator pemantik dapat bekerja secara otomatis saat Anda menyalakan listrik, setelah pemasangan, atau setelah aliran listrik terputus. Ini merupakan hal yang normal.

5.2 Gambaran umum tungku



- A. Cungkup tungku
- B. Mahkota tungku
- C. Sumber nyala
- D. Thermocouple

5.3 Mematikan tungku

Untuk mematikan nyala api, putar kenop ke posisi mati **0**.



PERINGATAN!

Selalu kecilkan api atau matikan sebelum Anda mengangkat panci dari tungku.

6. KOMPOR - PETUNJUK DAN TIPS



PERINGATAN!
Silakan baca bab Keselamatan.



6.1 Peralatan masak

PERINGATAN!

Jangan letakkan panci yang sama pada dua tungku.

**PERINGATAN!**

Untuk mencegah kecelakaan dan tumpahan, jangan letakkan ketel yang tidak stabil dan rusak pada tungku.

**AWAS!**

Pastikan pegangan ketel tidak berada di atas pinggir depan tungku masak.

**AWAS!**

Pastikan ketel diletakkan tepat di bagian tengah tungku agar stabilitasnya maksimal dan konsumsi gasnya lebih hemat.

6.2 Diameter peralatan memasak

**PERINGATAN!**

Gunakan peralatan memasak dengan diameter yang sesuai dengan ukuran tungku.

Tungku	Diameter peralatan memasak (mm)
Mahkota Tiga	160 - 240
Semi-cepat	140 - 240
Tambahan	120 - 180

7. KOMPOR - PERAWATAN DAN PEMBERSIHAN

**PERINGATAN!**

Silakan baca bab Keselamatan.

7.1 Informasi Umum

- Bersihkan kompor setiap kali setelah pemakaian.
- Selalu gunakan peralatan memasak dengan bagian bawah bersih.
- Goresan atau noda gelap pada permukaan tidak berpengaruh terhadap pengoperasian kompor.
- Gunakan pembersih khusus yang sesuai untuk permukaan kompor.
- Cuci bagian baja tahan karat dengan air, dan kemudian keringkan dengan kain lembut.

7.2 Membersihkan kompor

- **Segera bersihkan:** plastik yang meleleh, lembaran plastik, dan makanan dengan gula. Jika tidak, kotoran dapat menyebabkan kerusakan pada kompor.
- **Bersihkan saat kompor sudah cukup dingin:** bercak kerak kapur, bercak air, noda lemak, pemudaran warna kilap logam. Bersihkan kompor dengan kain lembap dan deterjen

non-abrasif. Setelah pembersihan, keringkan kompor dengan kain lembut.

- Untuk membersihkan bagian enamel, cungkup dan mahkota, bersihkan dengan air sabun hangat dan keringkan dengan hati-hati sebelum Anda memasangnya kembali.

7.3 Pembersihan busi pemantik


Fitur ini diperoleh melalui sumber nyala keramik dengan elektroda logam. Pastikan komponen tersebut tetap bersih untuk mencegah penyalaan yang sulit dan pastikan celah mahkota tungku tidak terhalang.

7.4 Dudukan panci



Dudukan panci tidak dapat dicuci dalam mesin pencuci piring. Dudukan panci harus dicuci dengan tangan.

1. Lepaskan dudukan panci untuk membersihkan kompor dengan mudah.

 Hati-hatilah saat melepas dudukan panci untuk mencegah bagian atas kompor rusak.

2. Setelah Anda membersihkan dudukan panci, pastikan dudukan panci tersebut berada di posisi yang benar.
3. Agar tungku beroperasi dengan benar, pastikan lengan dudukan

panci sejajar dengan bagian tengah tungku.

7.5 Pemeliharaan berkala





Hubungi Pusat Servis Resmi secara berkala untuk memeriksa kondisi pipa suplai gas dan penyesuaian tekanan, jika dipasang.

8. OVEN - PENGGUNAAN SEHARI-HARI



PERINGATAN!
Silakan baca bab Keselamatan.

8.1 Fungsi Oven

Fungsi oven	Aplikasi
 Posisi mati	Peralatan mati.
1 - 8 ¹⁾ Pengaturan panas	Kisaran penyesuaian tingkat suhu oven.
 Pemanggangan	Untuk membakar makanan pipih di tengah pemanggangan. Untuk membuat roti panggang.
 Lampu oven	Untuk menyalakan lampu interior oven. Untuk menggunakan fungsi ini, tekan tombol lampu.
 Turnspit	Untuk membasahi daging yang dipanggang. Untuk menggunakan fungsi ini, tekan tombol turnspit.

¹⁾ 1 - 140°C, 2 - 155°C, 3 - 170°C, 4 - 185°C, 5 - 205°C, 6 - 220°C, 7 - 235°C, 8 - 250°C

8.2 Menyalakan api oven gas



AWAS!
Saat menyalakan tungku pada oven, pintu oven harus dibuka.



AWAS!
Pastikan bahwa penutupnya terbuka. Ketika menggunakan oven, penutupnya harus dibuka untuk menghindari kelebihan panas.



Perangkat keamanan oven:

Oven gas ini memiliki termokopel. Jika apinya mati, aliran gas akan dihentikan.

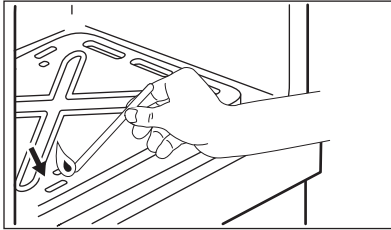
1. Buka pintu oven.
2. Putar kenop fungsi oven berlawanan arah jarum jam ke pengaturan panas maksimal dan tekan untuk menyalakan tungku.
3. Tahan kenop fungsi oven selama 15 detik atau kurang agar thermocouple

memanas. Jika tidak, aliran gas akan terhambat.

8.3 Menyalakan api oven gas secara manual

Jika tidak ada daya listrik, Anda dapat menyalakan api oven tanpa menggunakan perangkat listrik.

1. Buka pintu oven.
2. Dekatkan api ke lubang yang terdapat pada bagian dasar rongga oven.



3. Secara bersamaan, tekan kenop fungsi oven dan putar berlawanan arah jarum jam ke posisi aliran gas maksimal.
4. Saat api menyala, tahan kenop fungsi oven pada posisi aliran gas maksimal selama 15 detik atau kurang agar thermocouple memanass.

i Jangan tahan kenop fungsi oven lebih dari 15 detik. Jika api oven tidak menyala setelah 15 detik, lepaskan kenop fungsi oven, putar ke posisi mati, buka pintu oven dan cobalah menyalakan api oven lagi setelah setidaknya 1 menit.

8.4 Setelah menyalakan pemanas gas oven

1. Lepaskan tombol putar untuk fungsi oven.
2. Tutup pintu oven.
3. Putar tombol putar untuk fungsi oven untuk menetapkan pengaturan pemanasan yang diperlukan.

Kendalikan api melalui lubang yang ada di bagian dasar oven.

8.5 Mematikan pemanggang bakar pada oven

Untuk mematikan nyala api, putar kenop ke posisi off **0**.

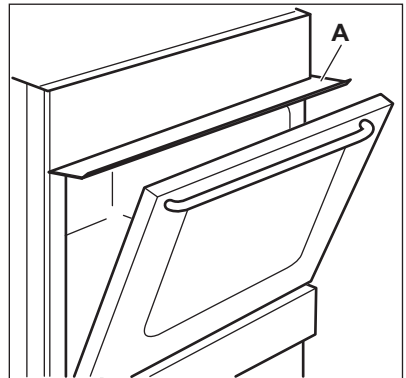
8.6 Indikator pemanggang

Indikator pemanggang menyala saat fungsi pemanggang dipilih. Indikator akan mati saat oven mencapai suhu yang tepat. Kemudian berputar antara hidup dan mati untuk menunjukkan penyesuaian suhu.

8.7 Menggunakan pemanggang

i Suhu pemanggang bakar tidak dapat disesuaikan. Untuk menghasilkan suhu yang lebih rendah atau waktu memasak yang lebih lama, turunkan papan bakar menjauhi api.

Sebelum Anda menggunakan pemanggang bakar, letakkan deflektor pemanggang A ke dalam tempat di atas pintu. Pastikan kedua jepitannya terpasang dengan tepat pada celah di bagian atas rangka depan dari rongga oven (di bawah panel kontrol).




i Jangan meletakkan daging langsung di nampan atau panci.

**AWAS!**

Jangan meletakkan daging pada tingkat rak paling atas. Ada risiko kebakaran.

**AWAS!**


Pastikan Anda memutar kenop sejauh mungkin. Hindari posisi antara Mati dan Memanggang. Pada posisi antara ini, generator percikan mungkin saja tetap aktif.

1. Buka pintu oven.
2. Putar kenop kontrol oven gas ke posisi Memanggang . Tekan kenop dan tahan sekitar 15 detik. Jangan lepaskan hingga ada api yang keluar.



Jika pemanggang bakar tidak menyala atau jika secara tidak sengaja mati, lepaskan kenop kontrol oven dan putar ke posisi Mati. Buka pintu oven. Setelah satu menit, coba nyalakan api pemanggang kembali.

3. Panaskan oven terlebih dahulu selama 5 hingga 10 menit.
4. Masukkan rak oven dengan daging pada posisi rak 3.
5. Letakkan nampun pemanggang atau loyang pemanggang di bawahnya, pada posisi rak 2, untuk menampung sarinya.
6. Biarkan pintu oven terbuka sedikit.

Jika tidak ada suplai daya selama beberapa saat, buka pintu oven, letakkan deflektor pemanggang dan berikan nyala api di dekat lubang pembakaran pemanggang, dan putar kenop oven ke posisi Memanggang .

8.8 Mematikan pemanggang bakar

Untuk mematikan nyala api, putar kenop ke posisi off **0**.

9. OVEN - FUNGSI JAM

9.1 Pengingat Menit

Gunakan untuk mengatur waktu hitung mundur.



Fungsi ini tidak mempengaruhi pengoperasian peralatan.

Putar kenop timer sejauh mungkin, kemudian putar ke periode waktu yang diinginkan.

Setelah periode waktu terselesaikan, akan terdengar sinyal suara.

10. MENGGUNAKAN AKSESORIS

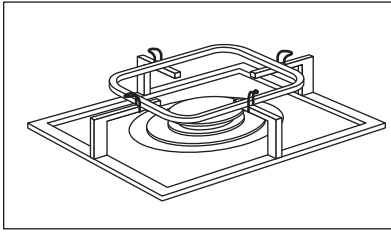
**PERINGATAN!**

Silakan baca bab Keselamatan.

pada kompor. Gunakan dudukan wajan hanya pada tungku Mahkota Tiga saja.

10.1 Menggunakan dudukan wajan

Dudukan wajan memungkinkan Anda menggunakan wajan beralas bundar



PERINGATAN!

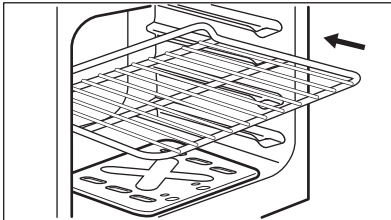
Pastikan dudukan wajan terpasang dengan benar dan terkait kuat dengan dudukan panci untuk mencegah panci/ketel terbalik.

10.2 Memasukkan aksesoris

Rak kawat:



Rak kawat memiliki bentuk khusus di bagian belakang untuk membantu sirkulasi panas.



Letakkan rak pada posisi rak yang benar. Pastikan rak tidak menyentuh dinding belakang oven.

10.3 Menggunakan turnspit



PERINGATAN!

Hati-hati saat Anda menggunakan turnspit. Garpu dan spit sangat tajam. Ada risiko cedera.



PERINGATAN!

Gunakan sarung tangan saat Anda melepas turnspit. Turnspit dan pemanggang akan panas. Ada risiko luka bakar.

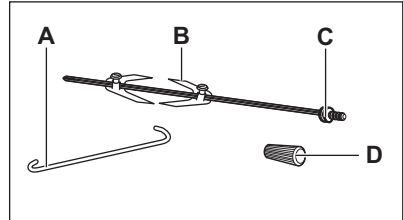


Turnspit tidak berhenti jika Anda membuka pintu oven.



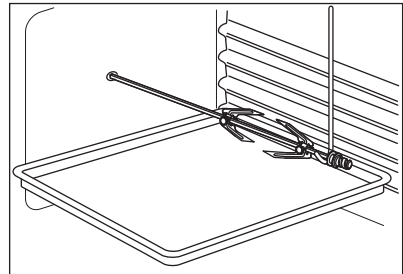
AWAS!

Berat maksimal yang diizinkan pada turnspit adalah 4 - 5 kg.

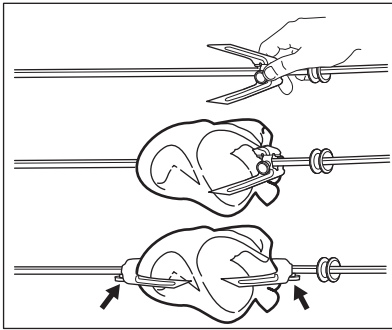


- A. Pengait dudukan
- B. Garpu
- C. Spit
- D. Handel

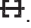
1. Buka pintu oven.
2. Letakkan gagang turnspit ke dalam spit.
3. Letakkan nampan tinggi pada posisi rak terendah.
4. Letakkan pengait dudukan pada celah di rongga paling atas pada oven.



5. Pasang garpu pertama pada spit, kemudian letakkan daging pada turnspit dan pasang garpu kedua. Pastikan daging ada di bagian tengah spit.



6. Gunakan obeng untuk mengencangkan garpu.
7. Letakkan ujung spit ke dalam celah turnspit.

8. Lihat bab "Deskripsi produk".
8. Letakkan bagian depan spit pada pengait dudukan.
9. Lepaskan gagang turnspit.
10. Nyalakan pemanggang.
Lihat bab "Oven - Penggunaan sehari-hari".
11. Tekan tombol turnspit .
12. Pastikan turnspit berputar.
13. Tutup pintu oven.

Saat daging sudah siap, tekan tombol turnspit. Matikan pemanggang. Pasang gagang turnspit. Lepaskan turnspit dan loyang pemanggang dari oven dengan hati-hati.

11. OVEN - PETUNJUK DAN TIPS



PERINGATAN!

Silakan baca buku Keselamatan.



Suhu dan waktu memanggang di dalam tabel hanya merupakan panduan. Suhu dan waktu memanggang tergantung pada resep serta kualitas dan kuantitas bahan yang digunakan.

11.1 Informasi Umum

- Peralatan mempunyai empat posisi rak. Hitunglah posisi rak dari bagian dasar lantai peralatan.
- Kelembaban dapat mengembun di dalam peralatan atau di panel kaca pintu. Ini merupakan hal yang normal. Selalu menjauh dari peralatan saat Anda membuka pintu peralatan ketika memasak. Untuk mengurangi pengembunan, operasikan peralatan selama 10 menit sebelum memasak.
- Bersihkan kelembaban setiap kali selesai menggunakan peralatan.
- Jangan meletakkan benda langsung di atas lantai peralatan dan jangan menempatkan foil aluminium pada komponen saat Anda memasak. Ini dapat mengubah hasil pemanggangan dan dapat merusak enamel.

11.2 Memanggang

- Memanggang kue atau masakan dengan peralatan Anda mungkin berbeda dari memanggang dengan peralatan Anda yang terdahulu. Sesuaikan pengaturan Anda yang biasa (suhu, waktu memasak) dan posisi rak dengan angka yang terdapat di dalam tabel.
- Produsen menganjurkan agar suhu lebih rendah yang pertama-tama digunakan.
- Jika tidak terdapat pengaturan untuk resep khusus, cari yang hampir sama.
- Waktu memanggang dapat ditambah selama 10 – 15 menit jika kue dipanggang pada lebih dari satu posisi rak.
- Kue dan roti kering pada ketinggian berbeda mungkin tidak selalu matang merata pada awalnya. Jika ini terjadi, jangan ubah pengaturan suhu. Perbedaan tersebut akan diseimbangkan selama prosedur pemanggangan.
- Dengan waktu memanggang yang lebih lama, oven dapat dinonaktifkan sekitar 10 menit sebelum akhir waktu memanggang, lalu menggunakan sisa panas.

Ketika memasak makanan beku, nampun di dalam oven dapat berputar selama pemanggangan. Ketika nampun

menjadi dingin kembali, gangguan tersebut hilang.

11.3 Memanggang kue

- Jangan membuka pintu oven sebelum melewati 3/4 dari waktu memasak yang telah ditetapkan.
- Apabila Anda menggunakan dua baki panggang dalam waktu bersamaan, biarkan satu tingkat kosong di antara keduanya.

11.4 Memasak daging dan ikan

- Gunakan loyang dalam untuk makanan yang sangat berlemak untuk mencegah kotornya oven yang dapat menjadi permanen.
- Biarkan daging selama sekitar 15 menit sebelum mengiris sehingga sari daging tidak keluar.

11.6 Meja memasak

Makanan	Kuantitas (g)	Posisi termos-tat	Waktu (menit)	Posisi rak	Aksesori
Kue pastr ¹⁾	250	2	20 - 25	3	nampan pemanggang
Kue datar ¹⁾	1000	2	35 - 40	3	nampan pemanggang
Pai apel ¹⁾	1200 + 1200	6	55 - 65	3	2 nampan aluminium bundar (diameter: 20 cm)
Kue kecil ¹⁾	500	2 - 3	25 - 30	3	nampan pemanggang
Kue sponge tanpa lemak ¹⁾	350	3	30 - 35	3	1 nampan bundar (diameter: 26 cm)
Drip pancake	1500	2 - 3	40 - 50 ²⁾	3	nampan pemanggang
Ayam, utuh	1400	8	50 - 60	3	rak kawat
				3	nampan pemanggang
Kue flan ³⁾	800	6 - 7	15 - 20	3	nampan pemanggang
Kue beragi isi ⁴⁾	1200	4 - 5	40 - 50	3	nampan pemanggang
Pizza ¹⁾	1000	5 - 6	25 - 30	3	nampan pemanggang
Kue keju	2600	3	70 - 80	3	nampan pemanggang

- Untuk mencegah terlalu banyak asap di dalam oven selama membakar, tambahkan air ke loyang dalam. Untuk mencegah mengembunnya asap, tambahkan air setiap kali mengering.

11.5 Waktu memasak

Waktu memasak tergantung pada jenis makanan, konsistensinya, dan volumenya.

Pertama-tama, pantau dahulu performa saat Anda memasak. Temukan pengaturan terbaik (setelan panas, waktu memasak, dll.) untuk alat masak, resep, dan jumlahnya ketika Anda menggunakan peralatan ini.

Makanan	Kuantitas (g)	Posisi termostat	Waktu (menit)	Posisi rak	Aksesori
Flan apel Swiss ⁴⁾	1900	6 - 7	40 - 50	3	nampan pemanggang
Kue natal ⁵⁾	2400	3 - 4	60 ²⁾	3	nampan pemanggang
Quiche Lorraine ⁴⁾	1000	5 - 6	50 - 60	3	1 nampan bundar (diameter: 26 cm)
Roti peasant ⁵⁾	750 + 750	4 - 5	50 - 60	3	2 nampan aluminium bundar (diameter: 20 cm)
Kue sponge Romania ¹⁾	600 + 600	2 - 3	50 - 60	3	2 nampan aluminium bundar (diameter: 25 cm)
Kue sponge Romania - tradisional ¹⁾	600 + 600	2 - 3	40 - 50	3	2 nampan aluminium bundar (diameter: 25 cm)
Bolu gulung ¹⁾	500	2 - 3	20 - 25	3	nampan pemanggang
Meringue	400	1	40 - 50	3	nampan pemanggang
Petit Choux ¹⁾	500	2 - 3	30 - 35	3	nampan pemanggang
Kue remah ⁴⁾	1500	5 - 6	30 - 35	3	nampan pemanggang
Kue sponge ¹⁾	600	2	30 - 35	3	nampan pemanggang
Kue mentega ⁴⁾	600	3	20 - 25	3	nampan pemanggang

1) Panaskan oven terlebih dahulu selama 10 menit.

2) Setelah mematikan alat, biarkan kue di dalam oven selama 5 menit.

3) Panaskan oven terlebih dahulu selama 20 menit.

4) Panaskan oven terlebih dahulu selama 15 menit.

5) Panaskan oven terlebih dahulu selama 15 menit dengan termostat yang diatur pada posisi 8.

11.7 Pemanggang dengan turnspit

Makanan	Kuantitas (g)	Waktu (menit)	Posisi rak	Aksesori
Ayam, utuh	1000	90	1	nampan pemanggang

12. OVEN - PERAWATAN DAN PEMBERSIHAN



PERINGATAN!
Silakan baca bab Keselamatan.

12.1 Catatan tentang pembersihan

- Bersihkan bagian depan perabot dengan kain lembut dan air hangat serta cairan pembersih.
- Untuk membersihkan permukaan logam, gunakan cairan pembersih khusus.
- Nonaktifkan bagian dalam perabot setiap kali setelah pemakaian. Kumpulan lemak atau sisa makanan lainnya dapat mengakibatkan kebakaran. Pada alat pemanggang risikonya lebih tinggi.
- Bersihkan noda membandel dengan cairan pembersih oven khusus.
- Bersihkan semua aksesoris setiap kali setelah pemakaian dan biarkan mengering. Gunakan kain lembut dengan air hangat dan cairan pembersih.
- Jika terdapat aksesoris anti lengket, jangan bersihkan menggunakan bahan yang agresif, benda berujung tajam, atau mesin pencuci piring. Hal itu akan merusak lapisan anti lengket.

12.2 Peralatan baja antirarat atau aluminium



Bersihkan pintu oven dengan kain lembap atau spons saja. Keringkan dengan kain yang lembut. Jangan gunakan wol baja, bahan asam atau abrasif karena cara ini dapat menimbulkan kerusakan pada permukaan oven. Bersihkan panel kontrol oven dengan cara yang sama.

12.3 Membersihkan pintu oven

Pintu oven memiliki tiga panel kaca. Anda dapat melepas pintu oven dan panel kaca internal untuk membersihkannya.

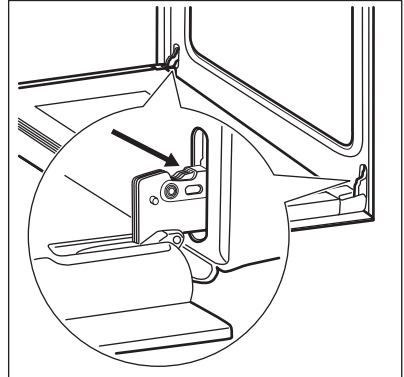


Pintu oven dapat menutup ketika Anda mencoba melepas panel kaca sebelum Anda melepas pintu oven.

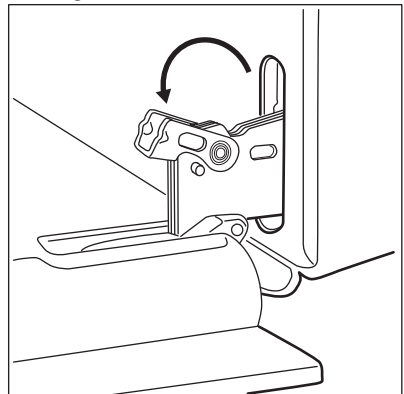


AWAS!
Jangan menggunakan peralatan tanpa panel kaca.

1. Buka pintu selebar-lebarnya dan pegang kedua engsel pintu.

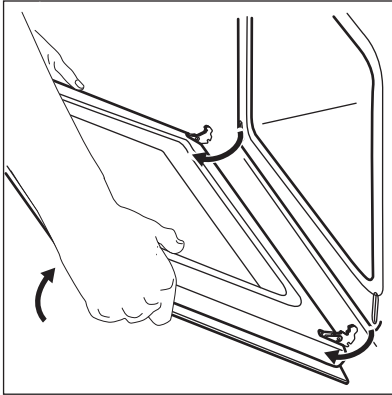


2. Angkat dan putar tuas pada kedua engsel.

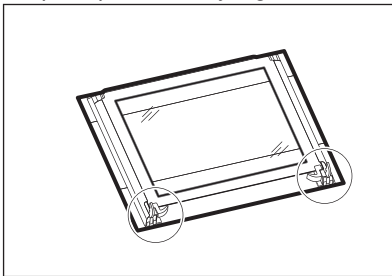


3. Tutup pintu oven separuh pada posisi bukaan pertama. Kemudian

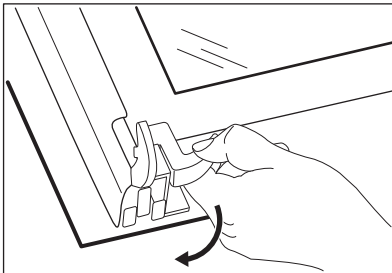
tarik ke depan dan lepaskan pintu dari dudukannya.



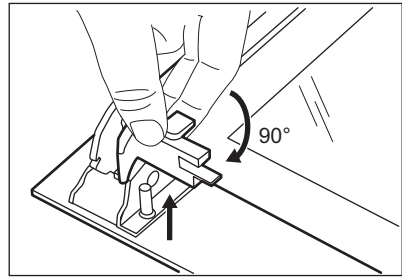
4. Letakkan pintu di atas kain lembut pada permukaan yang stabil.



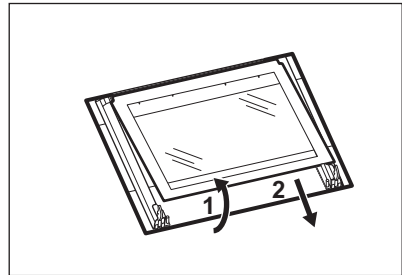
5. Lepaskan sistem pengunci untuk melepas panel kaca.



6. Putar kedua pengencang sebanyak 90° dan lepaskan dari dudukannya.



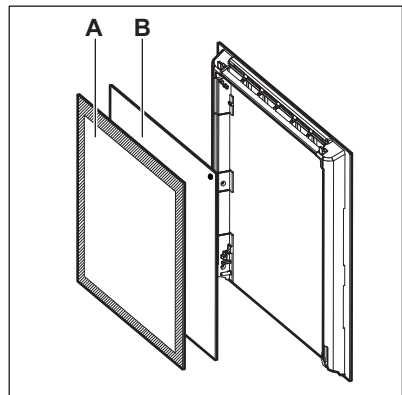
7. Pertama angkat dengan hati-hati dan kemudian lepaskan panel kaca satu per satu. Mulai dari panel bagian atas.



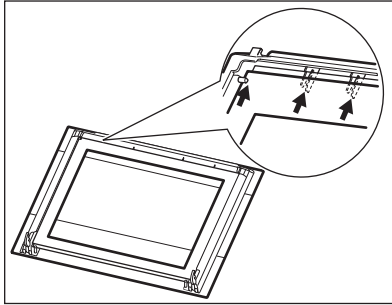
8. Bersihkan panel kaca dengan air dan sabun. Keringkan panel kaca dengan hati-hati.

Setelah pembersihan selesai, pasang panel kaca dan pintu oven. Lakukan langkah-langkah di atas dalam urutan berlawanan.

Pastikan Anda memasang kembali panel kaca (A dan B) dalam urutan yang benar.



Pastikan Anda telah memasang panel kaca tengah padaudukannya dengan benar.



12.4 Mengganti lampu

Letakkan kain pada bagian dasar interior peralatan. Hal ini mencegah kerusakan pada rongga dan penutup kaca lampu.



PERINGATAN!

Sengatan listrik! Putuskan sekring sebelum Anda mengganti lampu. Lampu dan penutup kaca lampu dapat menjadi panas.

1. Nonaktifkan perabot.
2. Lepas sekring dari kotak sekring atau nonaktifkan pemutus arus.

Lampu belakang

1. Putar penutup lampu kaca berlawanan arah jarum jam untuk melepas.
2. Bersihkan penutup kaca.
3. Ganti lampu dengan lampu tahan panas 300 °C yang cocok.
4. Pasang penutup kaca.

13. PENYELESAIAN MASALAH



PERINGATAN!
Silakan baca bab Keselamatan.

13.1 Apa yang dilakukan jika...

Masalah	Kemungkinan penyebab	Perbaikan
Tidak ada percikan saat Anda mencoba mengaktifkan generator percikan.	Kompor tidak terhubung dengan pasokan listrik atau terhubung dengan tidak semestinya.	Periksa apakah kompor sudah terhubung dengan benar ke pasokan listrik. Silakan baca diagram sambungan.
Tidak ada percikan saat Anda mencoba mengaktifkan generator percikan.	Sekering rusak.	Pastikan sekring adalah penyebab gangguan fungsi. Jika sekring rusak berulang kali, hubungi teknisi listrik yang kompeten.
Tidak ada percikan saat Anda mencoba mengaktifkan generator percikan.	Cungkup tungku dan bagian atas tutup dipasang secara tidak tepat.	Tempatkan cungkup tungku dan bagian atas tutup dengan tepat.
Nyala api segera padam setelah penyalan kompor.	Thermocouple tidak memanaskan dengan cukup.	Setelah menyalakan api, pastikan generator percikan diaktifkan supaya sama atau kurang dari 10 detik

Masalah	Kemungkinan penyebab	Perbaikan
Lingkar api tidak rata.	Mahkota tungku terhalangi oleh sisa-sisa makanan.	Pastikan pemantik tidak terhalangi dan mahkota tungku dalam keadaan bersih.
Alat tungku tidak bekerja.	Tidak ada pasokan gas.	Periksa hubungan gas.
Peralatan membuat suara gaduh.		Beberapa bagian logam di peralatan mengembang dan mengkerut ketika memanaskan atau mendingin. Suara gaduh normal.
Warna api berwarna jingga atau kuning.		Warna api dapat terlihat jingga atau kuning di beberapa area tungku. Ini merupakan hal yang normal.
Lampu tidak beroperasi.	Lampu mengalami kerusakan.	Ganti lampu.
Uap dan embun mengendap pada makanan dan di rongga oven.	Masakan ditinggalkan terlalu lama di dalam oven.	Jangan tinggalkan masakan di dalam oven lebih dari 15 - 20 menit setelah berakhirnya proses memasak.
Oven tidak mau panas.	Pengaturan yang diperlukan tidak ditetapkan.	Pastikan bahwa pengaturan telah benar.
Turnspit tidak berputar.	Turnspit tidak dipasang dengan benar di lubang pemanggang.	Lihat pada "Menggunakan turnspit".
Akan membutuhkan waktu yang lama untuk memasak hidangan atau dimasak terlalu cepat.	Temperatur terlalu rendah atau terlalu tinggi.	Sesuaikan suhu jika diperlukan. Ikuti petunjuk di panduan pengguna.

13.2 Data layanan

Jika masalah tidak terpecahkan, hubungi penjual atau Pusat Servis Resmi.

Data yang diperlukan untuk pusat servis terdapat pada pelat rating. Pelat rating

terdapat pada bingkai depan rongga peralatan. Jangan melepas pelat rating dari rongga peralatan.

Kami anjurkan Anda menulis data di sini:	
Model (MOD.)
Nomor produk (PNC)
Nomor seri (S.N.)

14. PEMASANGAN



PERINGATAN!
Silakan baca bab
Keselamatan.

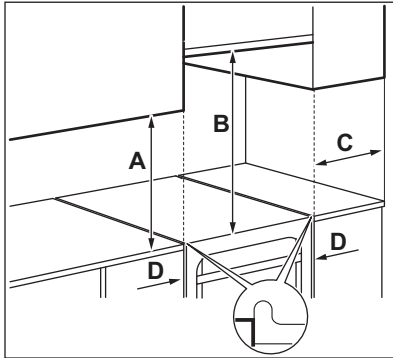
14.1 Lokasi peralatan

Anda dapat memasang peralatan ini ke dalam lemari pada satu atau dua sisi serta di sudut ruang.



Beri jarak sekitar 1 cm antara peralatan dan dinding untuk memastikan penutup peralatan dapat terbuka bebas.

Untuk jarak minimal untuk pemasangan, lihat tabel.



Jarak minimum

Dimensi	mm
A	400
B	650
C	150
D	20

14.2 Data teknis

Voltase	220 - 240 V
Frekuensi	50 / 60 Hz
Kelas peralatan	1

Dimensi	mm
Tinggi	855
Lebar	600
Kedalaman	600

14.3 Data teknis lain

Kategori peralatan:	I3B/P
Gas asli:	G30 30 mbar

14.4 Diameter jalan pintas

TUNGKU	Ø JALAN PINTAS ¹⁾ 1/100 mm
Tambahan	29 / 30
Semi-cepat	32
Mahkota Tiga	67
Oven	44

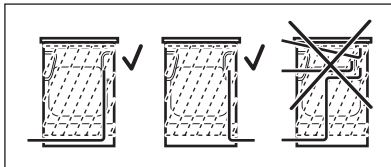
¹⁾ Jenis jalan pintas bergantung pada model.

14.5 Tungku gas untuk LPG G30 30 mbar

TUNGKU	DAYA NOR- MAL kW	DAYA YANG TELAH DIKU- RANGI kW	TANDA INJEK- TOR 1/100 mm	ALIRAN GAS NOMINAL g/j
Mahkota Ti- ga	4.0	1.80	101	291
Semi-cepat	2.0	0.43	71	145
Tambahan	1.0	0.35	50	73
Oven	2.7	0.90	80	196
Pemang- gang	1.9	-	71	138

14.6 Sambungan gas

Gunakan sambungan yang kuat atau pipa baja tahan karat fleksibel sesuai peraturan yang berlaku. Jika Anda menggunakan pipa logam fleksibel, pastikan bahwa pipa tersebut tidak bersentuhan dengan komponen yang bergerak pada peralatan atau tidak terjepit.



PERINGATAN!

Pipa sambungan gas tidak boleh menyentuh bagian peralatan yang ditunjukkan pada ilustrasi.

14.7 Sambungan pipa non-logam fleksibel

Jika Anda dapat dengan mudah mengakses ke sambungan, Anda dapat menggunakan pipa fleksibel. Pipa fleksibel harus terpasang dengan kencang dengan klem.

Dalam pemasangan, selalu gunakan penyangga pipa dan gasket. Pipa fleksibel dapat digunakan jika:

- suhu pipa tidak lebih panas dari suhu riang, yaitu lebih tinggi dari 30 °C,

- tidak lebih panjang dari 1500 mm,
- tidak terdapat penyempitan di mana saja,
- tidak melintir atau ditekan,
- tidak bersentuhan dengan pinggiriran atau sudut yang tajam,
- kondisinya dapat diperiksa dengan mudah.

Saat memeriksa pipa fleksibel, pastikan:

- tidak ada retakan, potongan, tanda terbakar pada kedua ujung dan di sepanjang pipa tersebut,
- bahannya tidak keras, tetapi memperlihatkan elastisitas yang sesuai,
- klem pengencang tidak berkarat,
- belum melewati batas kedaluwarsa.

Jika terlihat satu atau beberapa tanda cacat, jangan perbaiki pipa, tetapi gantilah dengan yang baru.



PERINGATAN!

Saat pemasangan selesai, pastikan lapisan masing-masing sambungan pipa tidak bocor. Untuk memeriksa lapisan ini, gunakan larutan sabun, bukan api.

Saluran suplai gas berada pada bagian belakang panel kontrol.



PERINGATAN!

Sebelum Anda menghubungkan gas, lepaskan peralatan dari suplai listrik atau matikan sekering pada kotak sekering. Tutup katup primer pada suplai gas.



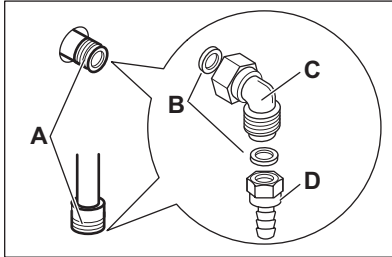
AWAS!

Pastikan Anda memasang pelindung antimiring pada ketinggian yang benar.



Pastikan bahwa permukaan bagian belakang peralatan halus.

14.8 Sambungan ke suplai gas



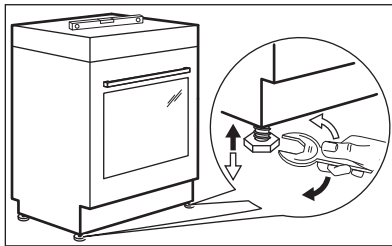
- A. Titik sambungan gas (hanya satu titik saja yang berlaku untuk peralatan)
- B. Paking
- C. Sambungan yang dapat disesuaikan
- D. Penyangga pipa LPG

Anda harus memasang pelindung antimiring. Jika Anda tidak memasangnya, peralatan mungkin saja akan miring.

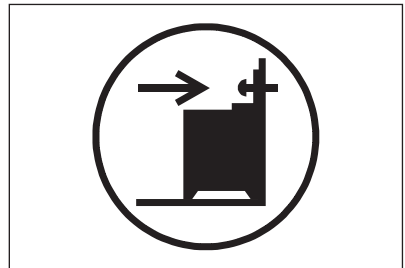
Peralatan Anda memiliki simbol yang ditunjukkan pada gambar (jika tersedia) untuk mengingatkan Anda untuk memasang pelindung antimiring.



14.9 Perataan peralatan



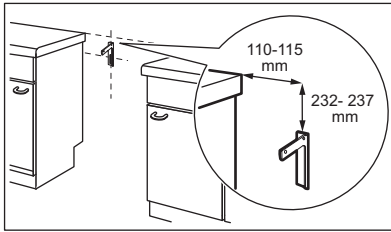
Gunakan kaki kecil pada bagian bawah peralatan untuk untuk mengatur permukaan bagian atas peralatan agar sama rata dengan permukaan-permukaan lainnya.



14.10 Pelindung antimiring

Atur tinggi dan area peletakan peralatan secara benar sebelum Anda memasang pelindung antimiring.

1. Pasang pelindung antimiring 232 - 237 mm ke bawah dari permukaan atas peralatan dan 110 - 115 mm dari samping peralatan ke dalam lubang bundar pada braket. Pasang dengan sekrup ke material padat, atau gunakan penguat yang sesuai (dinding).



2. Anda dapat menemukan celah pada sisi kiri di bagian belakang peralatan. Angkat bagian depan peralatan dan letakkan di tengah ruang yang tersedia di antara lemari. Jika ruang antara dudukan lemari lebih luas dari lebar peralatan, Anda harus menyesuaikan pengukuran sisinya agar peralatan berada tepat di tengah.

i Jika Anda mengubah dimensi peralatan masak, Anda harus menyejajarkan perangkat antimiring secara benar.

! **AWAS!** Jika ruang antara dudukan lemari lebih luas dari lebar peralatan, Anda harus menyesuaikan pengukuran sisinya agar peralatan berada tepat di tengah.

14.11 Instalasi Listrik

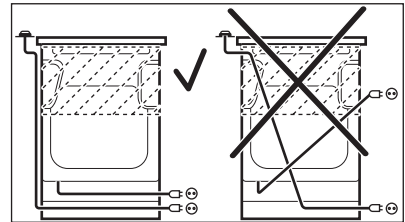


PERINGATAN! Produsen tidak bertanggung jawab jika Anda tidak mengikuti peringatan keselamatan pada bab Keselamatan.

Peralatan ini disuplai dengan steker listrik dan kabel listrik.



PERINGATAN! Kabel listrik tidak boleh menyentuh bagian peralatan yang ditunjukkan pada ilustrasi.



15. EFISIENSI ENERGI

15.1 Informasi produk untuk kompor tanam menurut EU 66/2014

Identitas model	EKG61107OX	
Jenis kompor tanam	Kompor tanam di dalam Pemasak Berdiri Sendiri	
Jumlah tungku gas	4	
Efisiensi energi setiap tungku gas (EE gas burner)	Kiri belakang - Agak Cepat	55,0%
	Kanan belakang - Agak Cepat	55,0%
	Kanan depan - Tambahan	tidak ada
	Kiri depan - Mahkota Tiga	52,5%
Efisiensi energi pada kompor tanam gas (EE gas hob)	54,2%	

EN 30-2-1: Gas pembakaran peralatan memasak untuk rumah tangga - Bagian 2-1: Pemakaian energi rasional - Umum

15.2 Hemat Energi - Hemat energi

Anda dapat menghemat energi selama memasak sehari-hari jika Anda mengikuti kiat-kiat di bawah ini.

- Saat Anda memanaskan air, panaskan air hanya sebanyak yang Anda perlukan.
- Jika memungkinkan, selalu letakkan penutup pada peralatan memasak.
- Sebelum menggunakan tungku dan penopang wajan, pastikan komponen tersebut sudah terpasang dengan benar.
- Sisi bawah peralatan masak harus memiliki diameter yang sesuai dengan ukuran tungku.
- Letakkan peralatan masak secara langsung pada tungku, tepat di tengahnya.
- Ketika cairan mulai mendidih, kecilkan api untuk hanya mendidihkan cairan.
- Jika memungkinkan, gunakan peralatan masak bertekanan (presto). Mengaculah pada petunjuk penggunaannya.


15.3 Hemat Energi - Hemat energi


Alat ini memiliki fitur yang membantu Anda menghemat energi selama memasak.

• Petunjuk umum

- Pastikan bahwa pintu oven tertutup dengan baik ketika alat ini digunakan dan sedapat mungkin biarkanlah tetap tertutup selama memasak.
 - Gunakan peralatan berbahan logam untuk meningkatkan kemampuan hemat energinya.
 - Jika memungkinkan, simpan makanan di dalam oven tanpa memanaskannya.
 - Jika durasi memasak lebih lama dari 30 menit, turunkan suhu oven hingga tingkat minimum, 3 - 10 menit sebelum selesai memasak, tergantung lamanya waktu memasak. Sisa panas di dalam oven akan meneruskan proses memasak.
 - Gunakan sisa panas yang tersisa ini untuk menghangatkan makanan lain.
- **Menghangatkan makanan** - jika Anda ingin menggunakan sisa panas untuk menjaga agar makanan tetap hangat, pilihlah pengaturan suhu serendah mungkin.

16. KEPEDULIAN LINGKUNGAN

Daur ulang material yang memiliki simbol . Taruh kemasan dalam wadah yang sesuai untuk mendaur-ulang. Bantu melindungi lingkungan dan kesehatan manusia dan untuk mendaur-ulang limbah peralatan listrik dan elektronik. Jangan membuang peralatan yang

memiliki simbol  ini bersama dengan limbah rumah tangga. Kembalikan produk Ike fasilitas daur ulang di tempat Anda atau hubungi kantor pemda setempat.

www.electrolux.com/shop



867313856-A-072016

