



**USERS MANUAL - COOKER HOOD
MANUAL BAGI PENGGUNA -
TUDUNG ASAP**

EFC 6530X
EFC 9530X
EFC 6550X
EFC 9550X
EFC 9551X



"Let's provide you with a superior User Experience delivering Ease-of-Mind."

"Izinkan kami menyediakan bagi anda Pengalaman Pengguna yang memberikan Ketenangan Pikiran."

Safety warnings3
 For the installer3
 For the user3

Description of the appliance4
 Extraction mode4
 Filter version4
 Control panel4
 Correct ventilation4

Technical specifications4

Installation5
 Unpacking5
 Location5
 Electrical connection5
 Components list6
 Pre-installation6
 Installation sequence7

Maintenance and care8
 Cleaning the hood8
 Metal grease filter8
 Removing the metal grease filter8
 Changing the light bulb8
 Charcoal filter9

What to do if9

Warranty conditions10

Congratulations

Congratulations and thank you for Choosing our rangehood. We are sure you will find your new rangehood a pleasure to use. Before you use your rangehood, we recommend that you read through the whole user manual, which provides the description of the rangehood and its function.

To avoid the risks that are always present when you use an electrical appliance it is important that the rangehood is installed correctly and that you read the safety instructions carefully to avoid misuse and hazards. We recommend that you keep this instruction booklet for future reference and pass it on to any future owners. After unpacking the rangehood please check it is not damaged. If in doubt, do not use the appliance but contact your local Electrolux Service Centre

3 safety warnings

For the installer

- When used as an extractor unit, the hood must be fitted with a 120mm diameter hose. Attention: The hose is not supplied and must be purchased separately.
- **When installing the hood observe the following minimum distances from the cooking top:**

electric cookers	600mm
gas cookers	700mm

The hood can be installed above these heights but for optimum performance it should be installed at the distance quoted for the appropriate heat source.
- The national Standard on fuel-burning systems specifies a maximum depression of 0.04 mbar in such rooms.
- The air outlet must not be connected to chimney flues or combustion gas ducts. The air outlet must under no circumstances be connected to ventilation ducts for rooms in which fuel-burning appliances are installed.
- The air outlet installation must comply with the regulations laid down by the relevant local authorities.
- When the unit is used in extraction mode, a sufficiently large ventilation hole must be provided, with dimensions that are approximately the same as the outlet hole.
- National and regional building regulations impose a number of restrictions on using hoods and fuel-burning appliances connected to a chimney, such as coal or oil room-heaters and gas fires, in the same room.
- Hoods can only be used safely with appliances connected to a chimney if the room and/or flat (air/environment combination) is ventilated from outside using a suitable ventilation hole approximately 500-600 cm² large to avoid the possibility of a depression being created during operation of the hood.
- If you have any doubts, contact the relevant controlling authority or building inspector's office.
- Since the rule for rooms with fuel burning appliances is "outlet hole of the same size as the ventilation hole", a hole of 500-600 cm², which is to say a larger hole, could reduce the performance of the extractor hood.
- If the hood is used in its recirculation mode, it will operate simply and safely in the above conditions without the need for any of the aforementioned measures.
- When the hood is used in its extraction mode, the following rules must be followed to obtain optimal operation:
 - short and straight outlet hose.
 - keep bends in outlet hose to a minimum.
 - never install the hoses with an acute angle, they must always follow a gentle curve.
 - keep the hose as large as possible (preferably the same diameter as the outlet hole).

- the length should be no more than:
 - 3 metres with one 90° bend
 - 2 metres with two 90° bendsBends of more than 90° will reduce the efficiency of the hood and reduce the airflow.

- Failure to observe these basic instructions will drastically reduce the performance and increase the noise levels of the extractor hood.

For the user

- The cooker hood is designed to extract unpleasant odours from the kitchen, it will not extract steam.
- Always cover lighted elements to prevent excess heat from damaging the appliance. In the case of oil, gas and coal fired cookers it is essential to avoid open flames.
- Also, when frying, keep the deep frying pan on the cooker top/cooker under careful control.
- The hot oil in the frying pan might ignite due to overheating.
- The risk of self-ignition increases when the oil being used is dirty.
- It is extremely important to note that overheating can cause a fire.
- **Never carry out any flambé cooking under the hood.**
- **Always disconnect the unit from the power supply before carrying out any work on the hood, including replacing the light bulb**
(take the cartridge fuse out of the fuse holder or switch off the automatic circuit breaker)
- **It is very important to clean the hood and replace the filter at the recommended intervals. Failure to do so could cause grease deposits to build up, resulting in a fire hazard.**
- The appliance is not intended for use by young children or infirm persons without supervision.
- Older children must be supervised if using the appliance.
- Young children should be supervised to ensure that they do not play with the appliance.



WARNING:-
Ensure that the appliance is switched off before replacing the lamp to avoid the possibility of electric shock.

Description of the appliance

- The cooker hood is designed to extract unpleasant odours from the kitchen, it will not extract steam.
- The hood is supplied as a recirculator unit and can also be used with an extraction mode by not installing/using the charcoal filters.

Extraction mode

- In this mode fumes are extracted to the outside via a **hose** connected to the **coupling ring**, **Fig. 1a**.
- In order to obtain the best performance the hose should have a diameter equal to the outlet hole.

Recirculation mode

- The air is filtered through a **charcoal filter** and returned to the kitchen.
- Fix the deflector to the outlet hole. **Fig. 1b**.

Control panel

- Best results are obtained by using a low speed for normal conditions and a high speed when odours are more concentrated.
- Turn the hood on a few minutes before you start cooking.
- The hood should be left on after cooking for about 15 minutes or until all the odours have disappeared. The control switches are located on the unit's front panel: **Fig. 2**

- 3 control switches for the motor (speed positions 1, 2 and 3) (ref W)
- Off button of the motor (ref V)
- On / Off light of the motor (ref T)
- Light switch (ref U)

Technical specifications

Model	EFC 6530X	EFC 9530X	EFC 6550X	EFC 9550X / EFC 9551X
Height	77-124cm	77-124cm	64-121cm	64-121cm
Width	59.8cm	89.8cm	89.8cm	89.8cm
Depth	50cm	50cm	50cm	50cm
Maximum absorbed power	270W	270W	270W / 330W	270W / 330W
Lighting	2 X 40W	2 X 40W	2 X 40W / 2 x 50W	2 X 40W / 2 x 50W
Length of the cable	150cm	150cm	100cm	100cm
Electrical connection	220 - 240V, 50 Hz	220 - 240V, 50 Hz	220 - 240V, 50 / 60 Hz	220 - 240V, 50 Hz

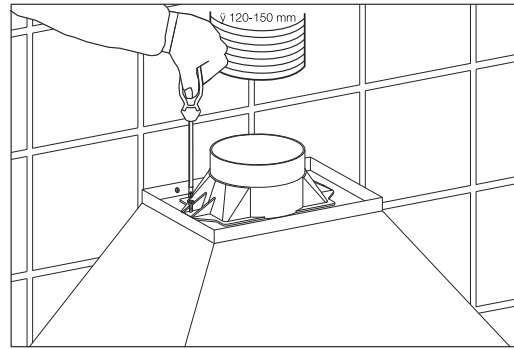


Fig. 1a

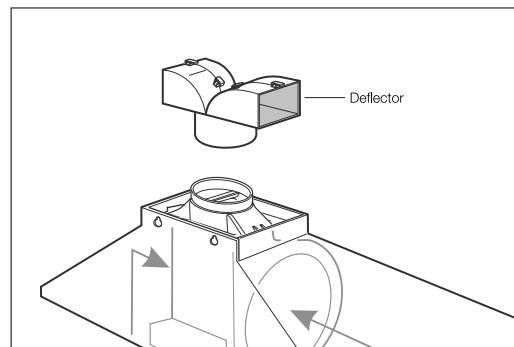


Fig. 1b

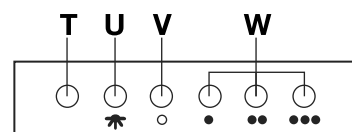


Fig. 2

Correct ventilation

If the cooker hood is to work correctly there must be an under pressure in the kitchen. It is important to keep the kitchen windows closed and have a window in an adjacent room open.

5 installation

Unpacking

Check that the cooker hood has no damages. Transportation damages should immediately be reported to the company responsible for the transportation.

Damages, faults and eventually missing details should immediately be reported to the retailer. Take care of the packing materials so that small children cannot play with them.

Location

The hood is to be mounted on the wall. When installed, the hood must be not less than 60cm above electric burners or 70cm above gas or mixed-fuel burners.

Electrical connection (not for UK)

Safety warnings for the electrician

Before connecting the appliance to the power supply, check that the voltage indicated on the rating plate corresponds to the mains power supply available. Appliances fitted with a plug can be connected to any standard power socket within easy access.

Should it be necessary to provide a fixed connection, the hood must only be installed by an electrician authorized by the local electricity board. When installing, an omnipolar disconnecter with a distance of at least 3mm between contacts must be provided.

Fixed connection of the appliance must only be carried out by an authorized electrician.

Electrical connection (for UK only)

Safety warnings for the electrician

Connect the hood to the mains supply via a double pole switch which has 3mm minimum separation between the contacts.

The switch must be accessible at all times.

The following is valid in the United Kingdom only:

- The wire which is coloured green and yellow must be connected to the terminal which is marked with the letter E or by the earth symbol (\perp), or coloured green or green and yellow;
- The wire which is coloured blue must be connected to the terminal which is marked with the letter N or coloured black, -
- The wire which is coloured brown must be connected to the terminal which is marked with the letter L or coloured red.

Components list

- 1 body assembly with grease filters (900-3 grease filters / 600-2 grease filters)
- 1 telescopic flue cover set
- 2 cover flue mounting brackets
- 1 instruction book
- 1 plastic bag containing screws for fixing telescopic flue covers
- 1 plastic duct transition: oblong to round

Components not included

- Fixings required to attach cover flue mounting brackets to wall.
- Fixings required to attach the cooker hood to wall.

Pre-installation

Before installing the cooker hood, peel off any protective plastic covering.

NOTE:

Some installations may require telescopic flue cover cut to length. Cut with tin snips or a fine-tooth hack saw blade, taking care not to distort or dent flue cover.

Dimensions are in millimetres.

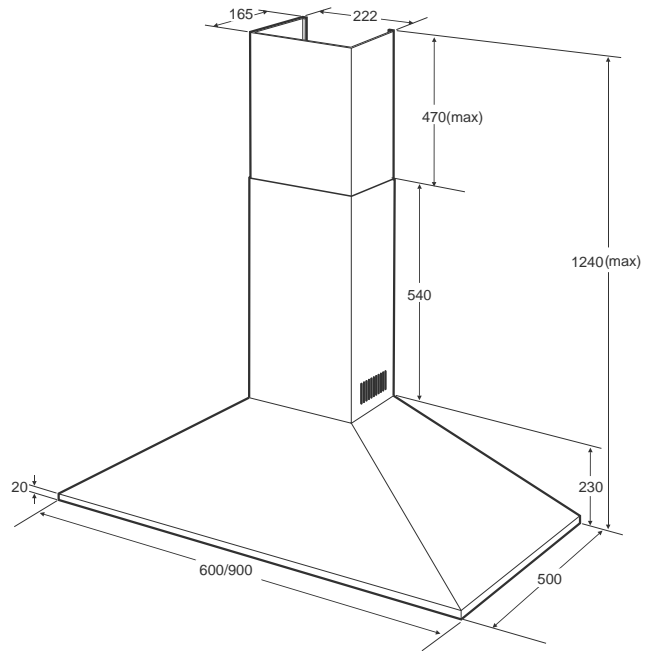


Diagram B:

- Recommended working heights.
- Cover flue mounting bracket locations.
- Telescopic cover flue fixing points.

Diagram C:

- Remove polystyrene packaging from inside behind fan motor.

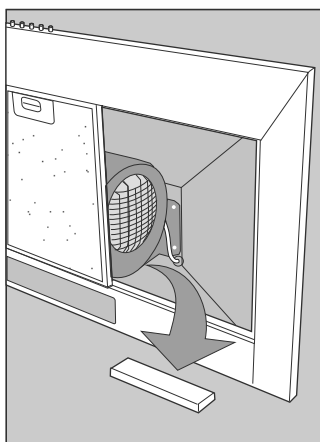


Diagram C

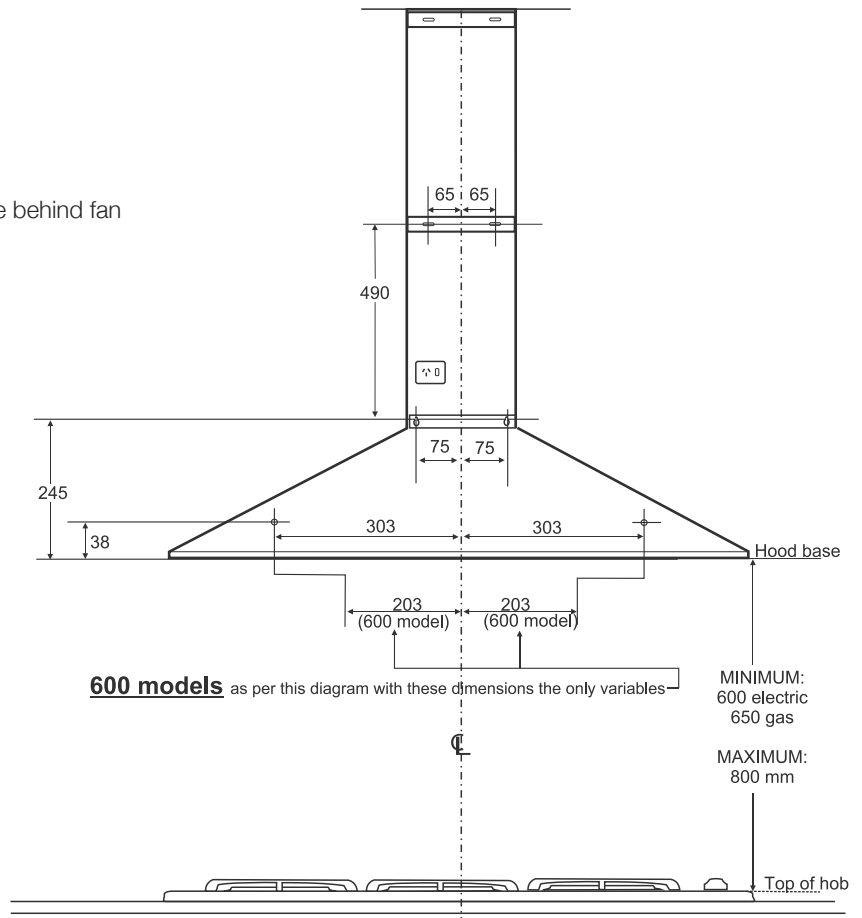


Diagram B

7 installation sequence

Installation sequence

Diagram D

Install cooker hood body
Determine working height, mark wall to suit
Install cover flue mounting brackets

Diagram E

Fix duct transition to cooker hood body.
Install internal exhaust duct to suit installation type.

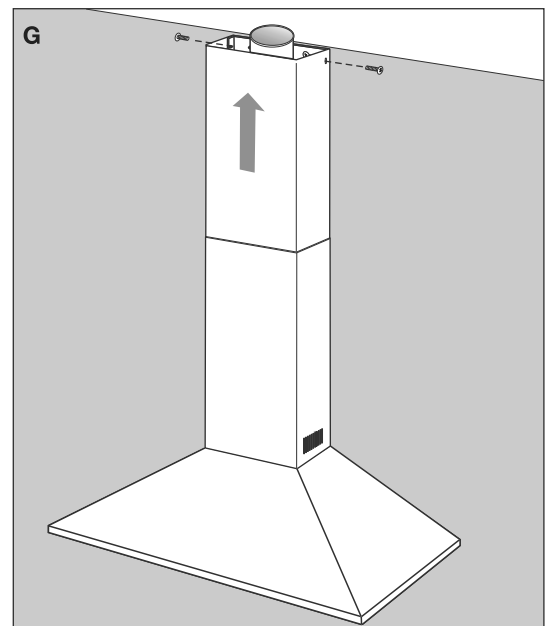
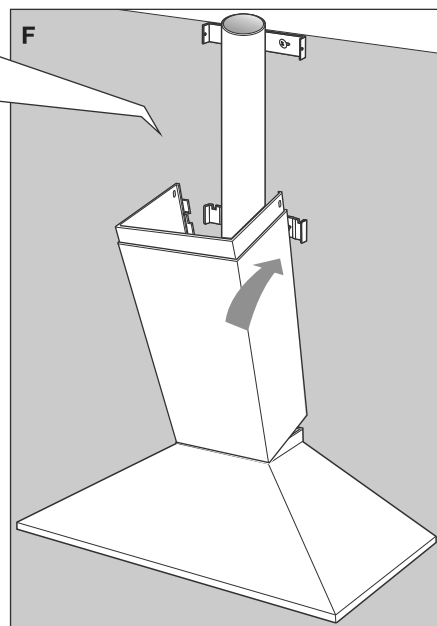
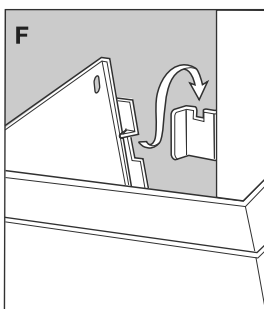
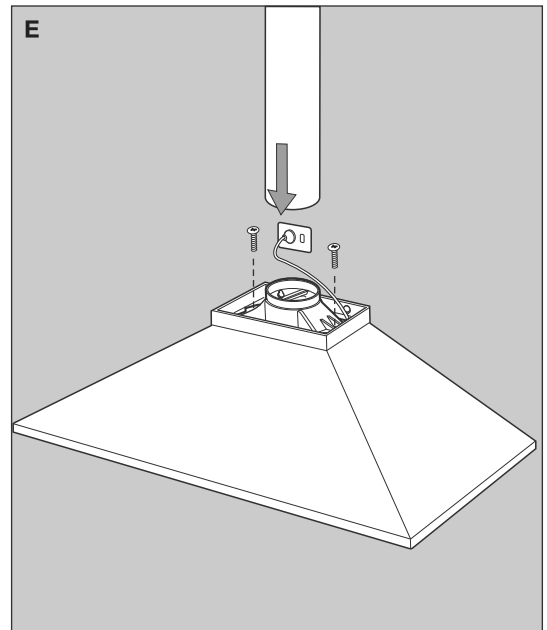
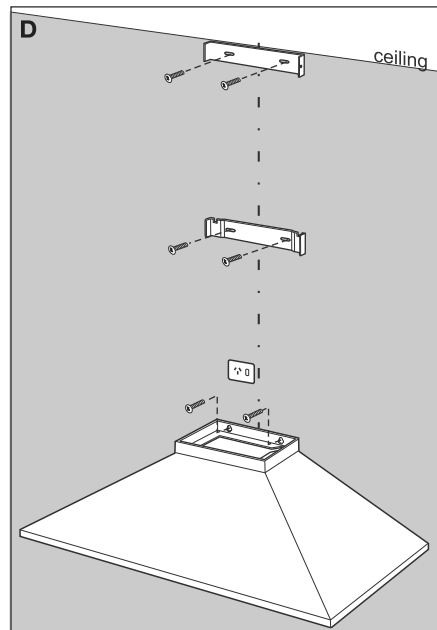
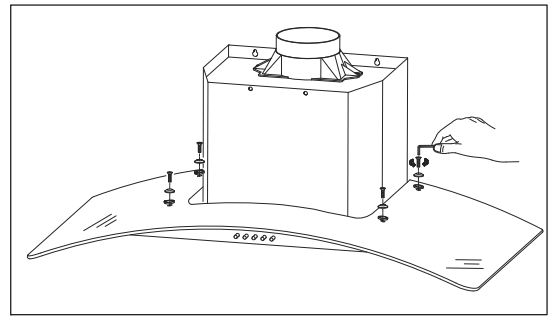
Diagram(s) F

Install bottom section of telescopic flue cover.

Diagram G

Install top section of telescopic flue cover.

For Glass Chimney EFC9550X / EFC9551X



**IMPORTANT:-**

The hood must always be disconnected from the electricity supply before beginning any maintenance work.

Cleaning the hood

- Clean the outside of the hood using a damp cloth and a solution of water and mild washing up liquid.
- Never use corrosive, abrasive or flammable cleaning products or products containing bleach.
- Never insert pointed objects in the motor's protective grid.
- Only ever clean the switch panel and filter grill using a damp cloth and mild washing up liquid.
- It is extremely important to clean the unit and change the filters at the recommended intervals. Failure to do so will cause grease deposits to build up that could constitute a fire hazard.

Metal grease filter

- The purpose of the grease filters is to absorb grease particles which form during cooking and it **must** always be used, either in the external extraction or internal re-circulation function.

Attention: the metal grease filters must be removed and washed, either by hand or in the dishwasher, every four weeks.

Removing the metal grease filters

- Push it towards the back of the unit and then pull it down and out. (**Fig. 3**)

Hand Washing

Soak grease filters for about one hour in hot water with a grease-loosening cleaner, then rinse off thoroughly with hot water. Repeat the process if necessary. Refit the grease filters when they are dry.

Dishwasher

Place grease filters in the dishwasher. Select most powerful washing programme and highest temperature, at least 65°C. Repeat the process. Refit the grease filters when they are dry. When washing the metal grease filter in the dishwasher a slight discolouration of the filter can occur, this does not have any impact on its performance.

- Clean the inner housing using a hand hot solution only (never use caustic detergents, abrasive powders or brushes).

Changing the light bulb

Ensure the appliance is switched off before carrying out maintenance, to avoid any possibility of electric shock. Remove grease filter to replace lamp. Replace with 40W (maximum) E14 candle lamp. (**Fig. 4**)

**WARNING:-**

Failure to observe the instructions on cleaning the unit and changing the filters will cause a fire hazard. You are therefore strongly recommended to follow these instructions.

The manufacturer declines all responsibility for any damage to the motor or any fire damage linked to inappropriate maintenance or failure to observe the above safety recommendations.

HOODS WITH HALOGEN LAMPS:-

If the halogen lamps need replacing, they must be replaced by lamps with an aluminium reflector, never dichroic lamps, to avoid unnecessary overheating in the lamp holders.

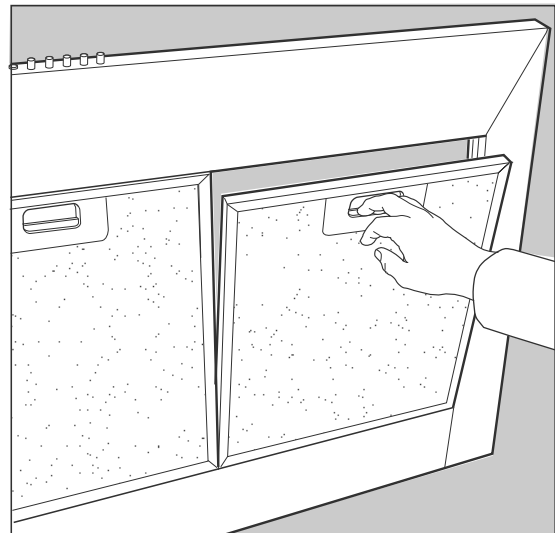


Fig. 3

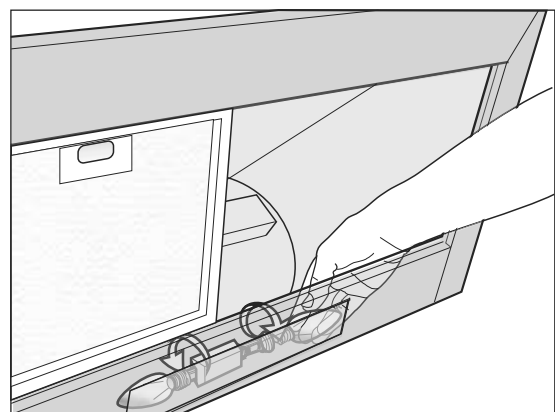


Fig. 4

Charcoal filter

- The charcoal filter should only be used if you want to use the hood in the recirculation function.
- This filter cannot be cleaned or reused.
- **As a general rule, the activated charcoal filter should be changed once every four months.**
- **Fitting - Fig. 5**
Fit one charcoal filter on the left and one on the right so to cover the plastic grids that protect the fan wheel.
- Always specify the hood model code number and serial number when ordering replacement filters. This information is shown on the registration plate located on the inside of the unit.
- The charcoal filter can be ordered from your local Service Center.

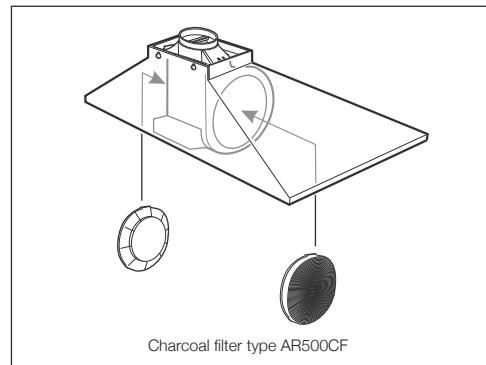


Fig. 5

What to do if

If your appliance fails to work properly please carry out the following checks.

The cooker hood will not start...	Check that: The hood is connected to the electricity supply. Check that a fan speed has been selected.
The cooker hood is not working...	Check that: The fan speed is set high enough for the task. The grease filters are clean. The kitchen is adequately vented to allow the entry of fresh air. If set up for recirculation, check that the charcoal filter is still effective. If set up for extraction, check that the ducting and outlets are not blocked.
The cooker hood has switched off during operation...	The safety cut-out device has been tripped. Turn off the hob and then wait for the device to reset. If the hood has been installed below the heights indicated in the installation instructions the motor will cut-out frequently which will damage the hood.

If after all these checks, the problem persists, contact your local Service Center, quoting the model and serial number. Please note that it will be necessary to provide proof of purchase for any in-guarantee service calls. In-guarantee customers should ensure that the above checks have been made as the engineer will make a charge if the fault is not a mechanical or electrical breakdown.

Standard warranty conditions

We, Electrolux, undertake that if within 12 months of the date of the purchase this Electrolux appliance or any part thereof is proved to be defective by reason only of faulty workmanship or materials, we will, at our option repair or replace the same FREE OF CHARGE for labour, materials or carriage on condition that:

The appliance has been correctly installed and used only on the electricity supply stated on the rating plate.

The appliance has been used for normal domestic purposes only, and in accordance with the manufacturer's instructions.

The appliance has not been serviced, maintained, repaired, taken apart or tampered with by any person not authorized by us.

All service work under this guarantee must be undertaken by an Electrolux Service Center. Any appliance or defective part replaced shall become the Company's property.

This warranty is in addition to your statutory and other legal rights.

This warranty does not include maintenance, like cleaning of hood.

The manufacturer waives all liability for failure to observe the instructions for the appropriate installation, maintenance and use of the extractor hood.

If you need any technical help or would like more information about our products, please do not hesitate to contact our Customer Care Center, listed below:

THAILAND

Tel: (+66 2) 725 9000
Electrolux Thailand Co., Ltd.
14th Floor, 1910 New Petchburi Road
Bangkapi, Huay Kwang
Bangkok 10320

INDONESIA

Tel: (+62 21) 522 7180
PT. Electrolux Indonesia
Plaza Kuningan
Menara Utara Suite 201
Jl.HR.Rasuna Said Kav.C11-14
Jakarta 12940

SINGAPORE

Tel: (+65) 6507 8699
e-mail: customer-care.sin@electrolux.com
Electrolux S.E.A Pte. Ltd.
11 Lorong 3 Toa Payoh,
Jackson Square Block B, #01-13/14/15
Singapore 319579

VIETNAM

Toll Free: 1800-58-88-99
Tel: (+84 8) 3910 5465
Electrolux Vietnam Ltd .
AB Tower, 9th Floor
76 Le Lai Street, District 1
Ho Chi Minh City

PHILIPPINES

Toll Free: 1800-10-845-2273
Tel: (+63 2) 845 2273
Electrolux Philippines Inc.
10th Floor W 5th Avenue cor 32nd St.
Bonifacio Global City, Taguig
Office Tel: (+63 2) 845 4510

MALAYSIA

Toll Free: 1300-88-11-22
Tel: (+60 3) 7843 5999
e-mail: customer.care@electrolux.com.my
Electrolux Home Appliances Sdn. Bhd.
7th Floor, Tower 2, Jaya 33,
No 3. Jalan Semangat, Seksyen 13,
46100 Petaling Jaya, Selangor